



QSET-eLED

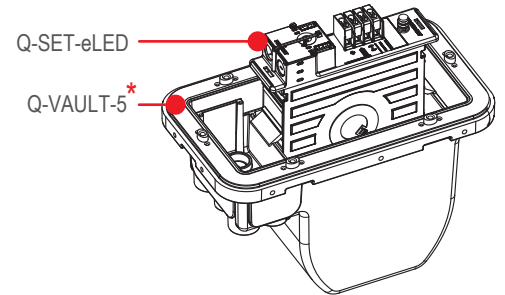
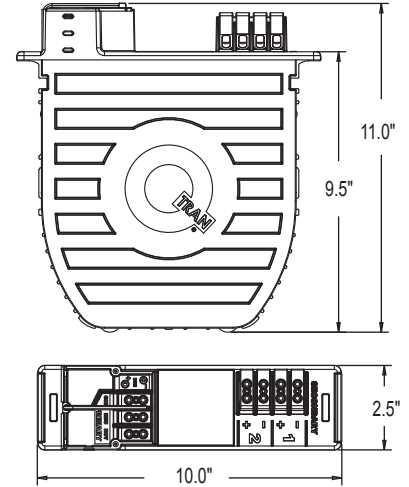
QSET-eLED is Q-Tran's direct burial and outdoor rated electronic power supply, utilizing the Xitanium driver from Advance. These drivers provide a 12VDC or 24VDC, constant voltage output, with optional 0-10V dimming modules.

HOUSING DIMENSIONS

- Enclosure: 14.4"L x 9.0"W x 4.875"D
- Door: 9.0"L x 14.4"W
- Knockouts: 21
- Built-in support bracket incorporated to secure housing for surface mounting

FEATURES

- Limited output voltage and current, plus isolation for safe operation
- Dimmable w/ additional 0-10V Dimming Module
- Fully potted driver(s) for moisture resistance
- Suitable for dry, damp and wet locations
- Primary Voltage - Universal (120-277V)
- Wide operating temperature range: 4°F ~ +104°F
- Fits up to 3: 60W 12VDC or 100W 24VDC driver(s) and 0-10V dimming module(s) in the same housing
- Class 2 Rated
- CSA Listed LED Power Supply (CSA C22.2 No. 250.0-08, CSA C22.2 No. 250.13-12)
- 5 year warranty



(Must be purchased with Q-VAULT-5)

* One Q-VAULT-5 can fit two Q-SET-eLED

WIRE LENGTH TABLE

TOTAL LENGTH										
VDC	Watts (W)	10 AWG (5.6mm ²)	12 AWG (3.3mm ²)	14 AWG (2.0mm ²)	16 AWG (1.3mm ²)	18 AWG (0.78mm ²)	20 AWG (0.50mm ²)	22 AWG (0.33mm ²)	24 AWG (0.20mm ²)	26 AWG (0.13mm ²)
12	12	631'	397'	250'	157'	99'	62'	39'	25'	15'
	25	231'	145'	91'	57'	36'	23'	14'	9'	6'
	60	14'	9'	6'						
24	17	1795'	1129'	710'	446'	281'	177'	111'	70'	44'
	25	1134'	713'	449'	282'	177'	112'	70'	44'	28'
	40	619'	389'	245'	154'	97'	61'	38'	24'	15'
	80	261'	164'	103'	65'	41'	26'	16'	10'	6'
	100	168'	106'	67'	42'	26'	17'	10'	7'	

*Distances are based on a 5% Voltage drop max.

- This product must be installed in accordance with the applicable installation code by a person familiar with the construction and operation of the product and the hazards involved.
- If dimming with optional 0-10V dimming module, use a dimmer rated for 0-10V operation

ORDERING GUIDE					
Model	Max Load (Watts)	Prim. V	Sec. V	DIM	Opts
QSET-eLED	-	UNV	/	+	-
1 Size	Max Load (Watts)	Secondary Voltage(12/24VDC)	Max Prim. Amps @ 120V	Max Prim. Amps @ 277V	
60W	1x60W	12VDC	0.9 A	0.4 A	
120W	2x60W	12VDC	1.4 A	0.6 A	
100W	1x100W	24VDC	1.1 A	0.5 A	
200W	2x100W	24VDC	2.2 A	1.0 A	
2 Primary Voltage	UNV: 120-277 Vrms				
3 Secondary Voltage	12VDC 24VDC				
4. Dimmer	0-10V				
Ordering Example					
QSET-eLED-100-UNV/24+0-10V					

PROJECT NAME	DATE	COMPANY	TYPE	NOTE



SPECIFICATIONS

SPECIFICATIONS

Input <ul style="list-style-type: none"> ▪ Input Voltage (Vrms) ▪ Input current, max (Arms) ▪ Inrush Current, max* (Apk) ▪ Input Frequency (Hz) ▪ Input Power (W) 	120	230	277	120	230	277
	0.58	0.30	0.25	0.98	0.51	0.42
				45	90	100
	50/60 70			50/60 117		
Output <ul style="list-style-type: none"> ▪ Output Voltage, nom (V) ▪ Output Current (A) ▪ Output Power (W) 	12			24		
	5.0			4.1		
	60			100		
Environmental <ul style="list-style-type: none"> ▪ THD (%) ▪ PF (%) ▪ Case Temp (°C) 	Min	Nom	Max	Min	Nom	Max
	----	----	20	----	----	20
	0.90	----	----	0.90	----	----
	----	----	0.90	----	----	90

*- 200us event

Protections

- Short Circuit Protection (SCP)
- Short Overload Protection
- UL 1310 Class 2

Compliance

- EMC : FCC 47 Part 15
: CISPR 15
: CISPR 22 Class A
- IP Rating : 66
or UL Dry and Damp



SPECIFICATIONS

