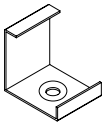


# MOUNTING INSTALLATION

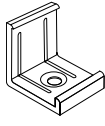
## EXTRUSIONS - CORNER - ARKA



### MOUNTING

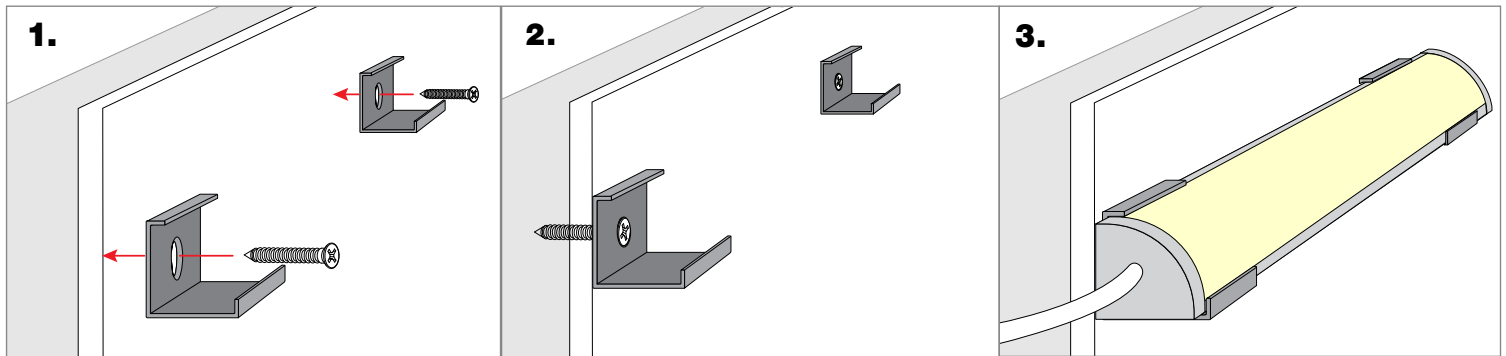


ARKA-SST

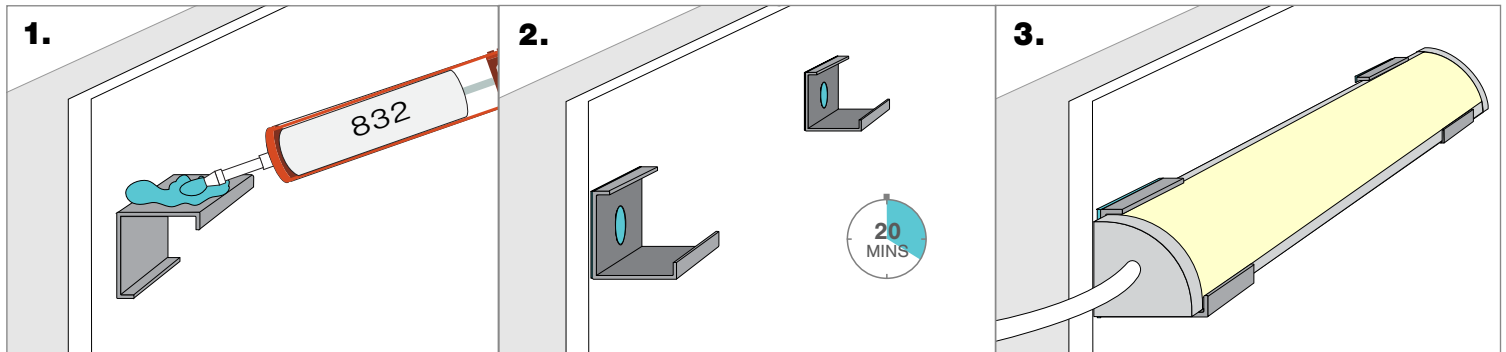


ARKA-PL

### Stainless Steel Installation

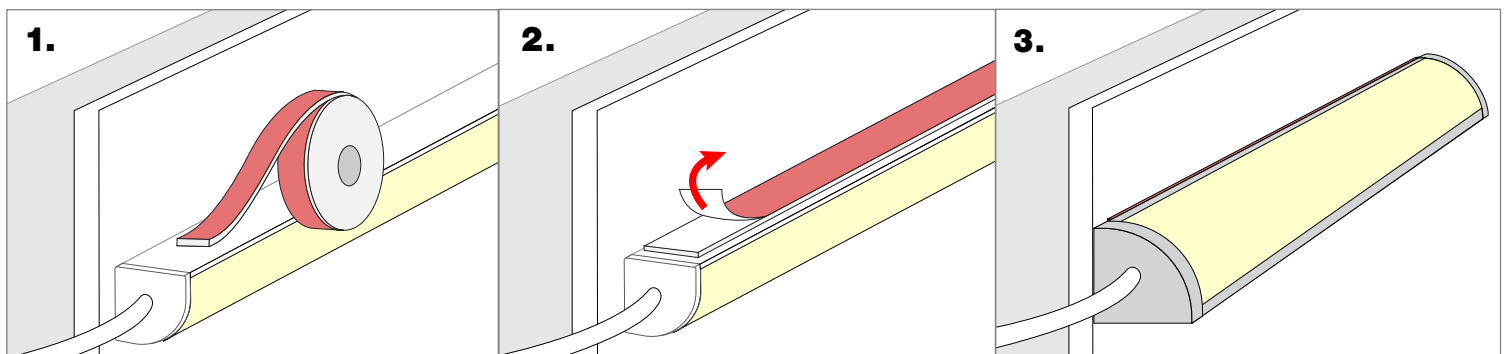


### 832 Silicone Installation



**NOTE:** 832 Silicone use in a well-ventilated area, 832 Silicone sold with Caulking gun. Do not use in any submersible applications.

### VHB Installation



**NOTES:** • Field modifications must comply with Q-Tran's installation methods otherwise warranty is null and void