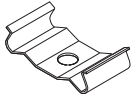


# MOUNTING INSTALLATION

## EXTRUSIONS - FLANGED - LATO

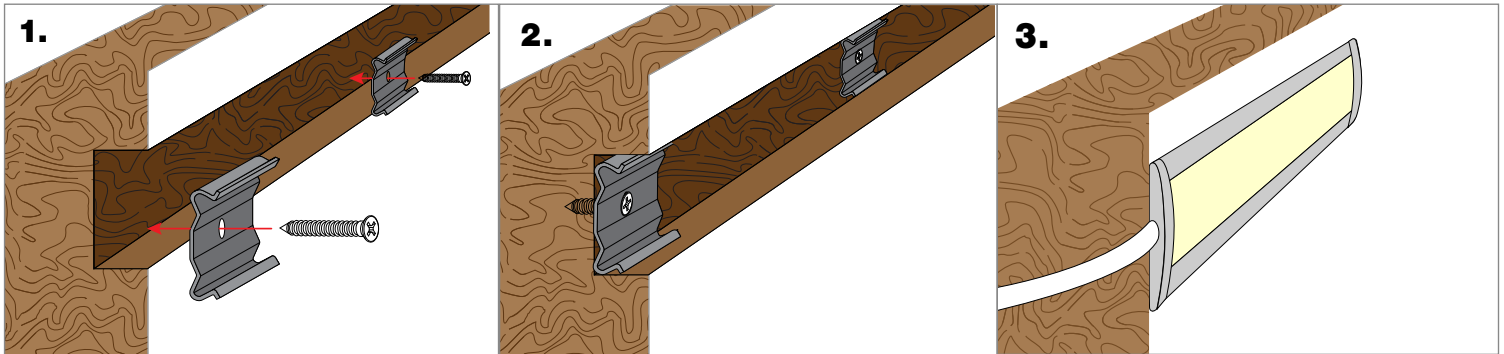


### MOUNTING

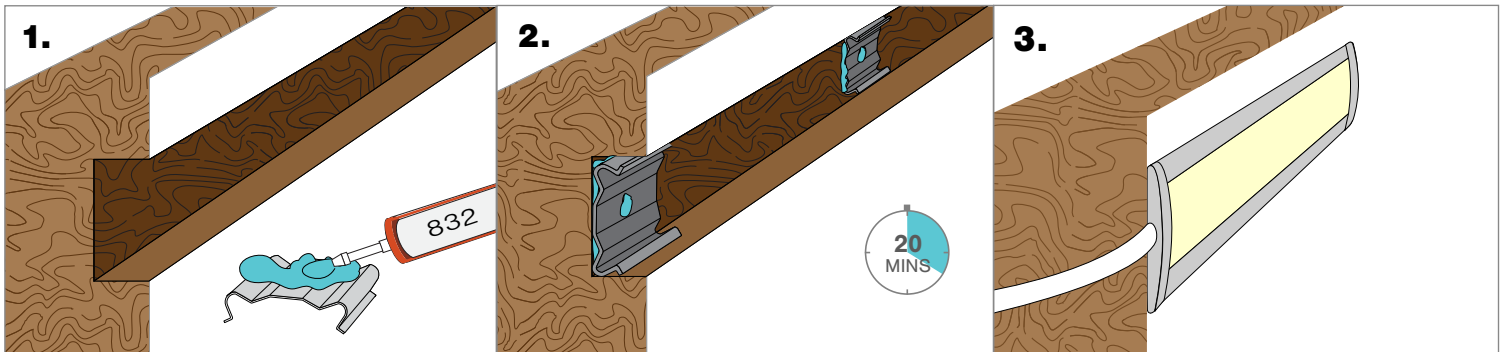


LATO-SST

#### Stainless Steel Installation

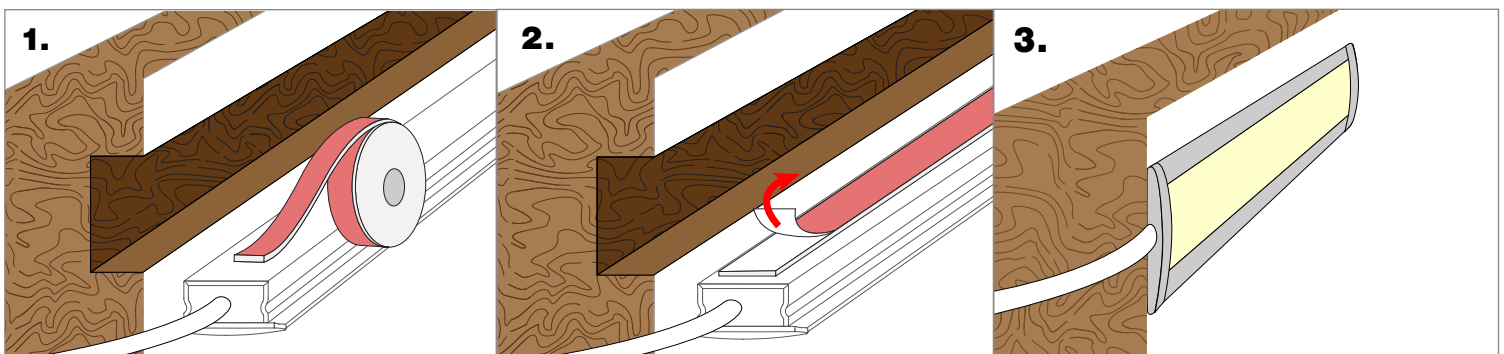


#### 832 Silicone Installation



**NOTE:** 832 Silicone use in a well-ventilated area, 832 Silicone sold with Caulking gun. Do not use in any submersible applications.

#### VHB Installation



**NOTES:** • Field modifications must comply with Q-Tran's installation methods otherwise warranty is null and void