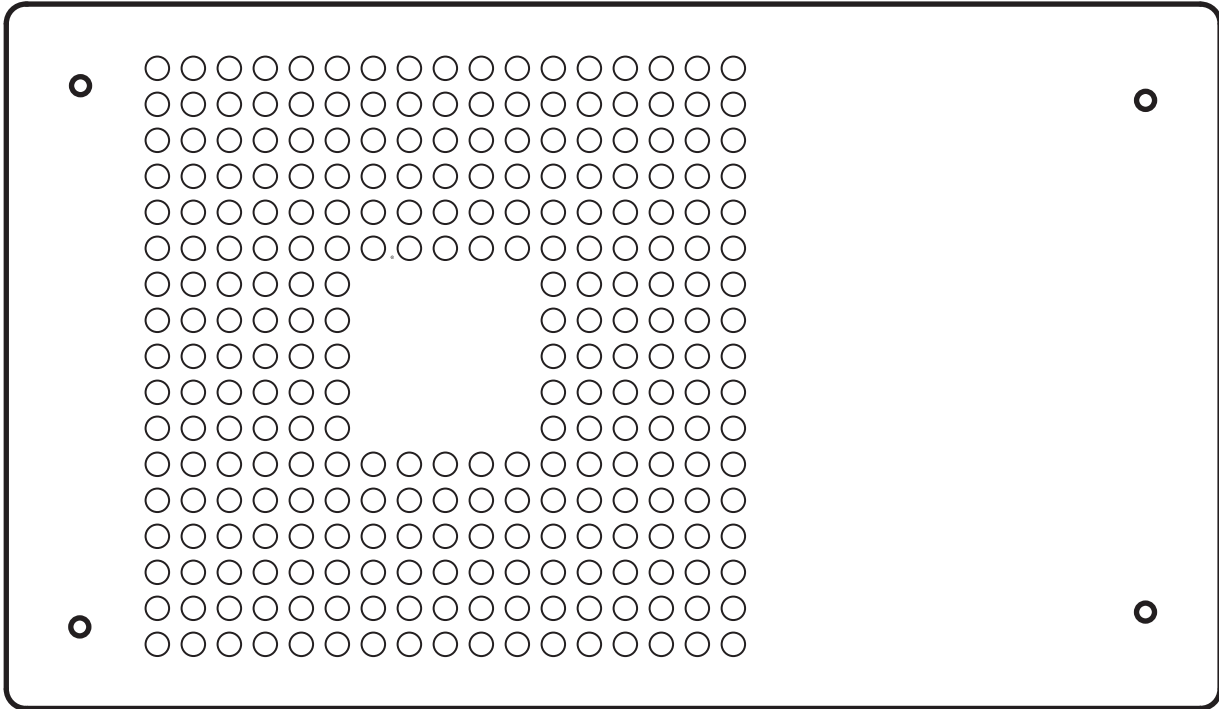


# QTM-DC Power Supply (DC and DC+CAP) Installation Instructions

Must be installed by licensed electrician.



ENLIGHTENED THINKING®



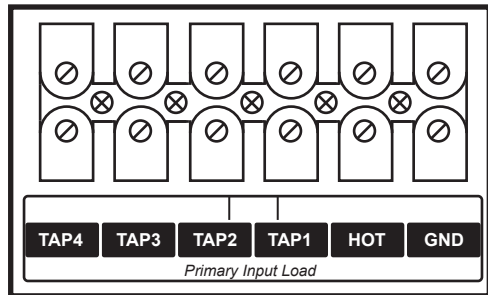
ENLIGHTENED THINKING®

# Installation Instructions

QTM-DC Field Wiring Made Simple

## PRIMARY

Line Voltage



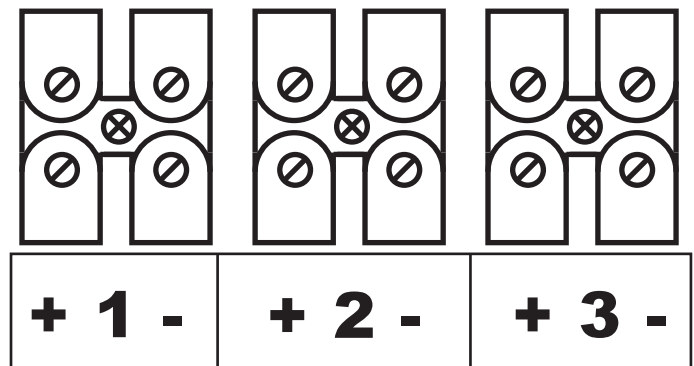
Land Neutral on one tap.  
Chose either tap 1,2,3 or 4

Land Hot

Land Ground

## SECONDARY

Low Voltage



**RED = Positive**  
**YELLOW = Negative**

**NOTE:** Primary Input - connect the 120V hot into block labeled Hot. Connect the neutral wire into Tap 1 - Tap 5 depending on desired output Voltage.(Not to exceed 12V or 24V)

QTM-DC/DC+CAP  120VAC  230V/50Hz  277VAC  12V  24V

Model	Input Voltage (V)	Input Current (A)	Frequency	Nominal Output Voltage (VDC)	Nominal Output Wattage (W)	SECONDARY WIRE CONNECTION
QTM60 DC	120 / 277	0.67 / 0.29	50/60	12/24	60	+ Red - Yellow
QTM100 DC	120 / 277	1.1 / 0.49	50/60	12/24	100	
QTM120 DC	120 / 277	1.3 / 0.58	50/60	12/24	120	
QTM150 DC	120 / 277	1.7 / 0.7	50/60	12/24	150	
QTM180 DC	120 / 277	2.0 / 0.87	50/60	12/24	180	
QTM200 DC	120 / 277	2.3 / 0.98	50/60	12/24	200	
QTM240 DC	120 / 277	2.7 / 1.2	50/60	12/24	240	
QTM300 DC	120 / 277	3.4 / 1.5	50/60	12/24	300	
QTM360 DC	120 / 277	4.1 / 1.8	50/60	12/24	360	
QTM400 DC	120 / 277	4.5 / 2.0	50/60	12/24	400	
QTM500 DC	120 / 277	5.6 / 2.4	50/60	24	500	
QTM600 DC	120 / 277	6.7 / 2.9	50/60	24	600	
QTM60 DC+CAP	120 / 277	0.9 / 0.4	50/60	12/24	60	
QTM100DC+CAP	120 / 277	1.3 / 0.5	50/60	12/24	100	
QTM120DC+CAP	120 / 277	1.4 / 0.6	50/60	12/24	120	
QTM200DC+CAP	120 / 277	2.4 / 1.0	50/60	24	200	

Q-Tran, Inc.  
239924  
CLASS:  
3425 - 15  
3425 - 95  
C US

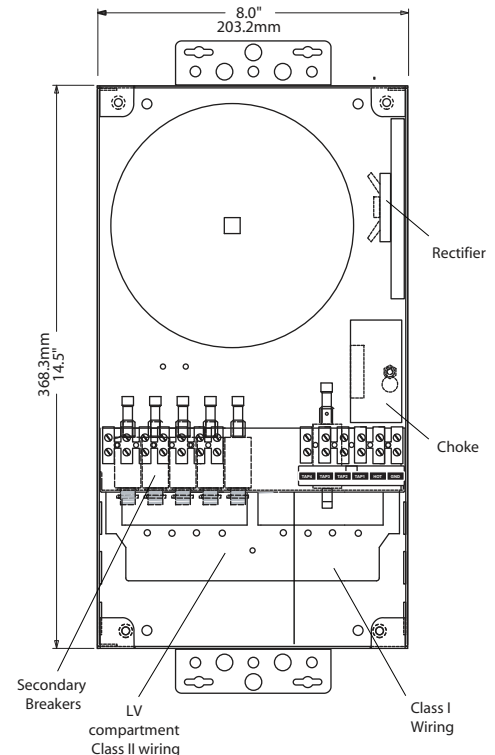
CE

Q-TRAN, INC.  
MILFORD, CT U.S.A.  
(203) 367-8777  
WWW.Q-TRAN.COM

This product must be installed in accordance with the applicable installation code by a person familiar with the construction and operation of the product and the hazards involved.

- WALL MOUNT ONLY
- SUITABLE FOR DAMP LOCATIONS
- 50/60 CYCLE A.C. ONLY
- FOR SUPPLY CONNECTIONS USE WIRE RATED FOR AT LEAST 75 C.
- USE DIMMERS RATED FOR MAGNETIC LOW VOLTAGE LOAD
- MADE IN THE U.S.A.
- ISOLATION TOROIDAL TRANSFORMER

**LOW VOLTAGE LUMINAIRE POWER SUPPLY CENTER**



**Must test all voltage readings with a True RMS Voltage Meter.**

# Installation Instructions

QTM-DC+CAP Field Wiring Made Simple

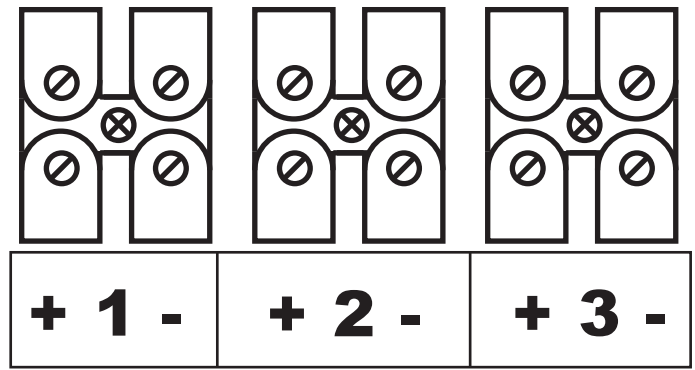
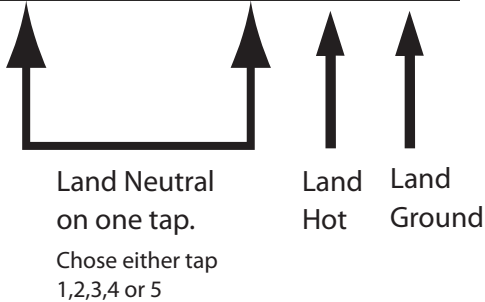
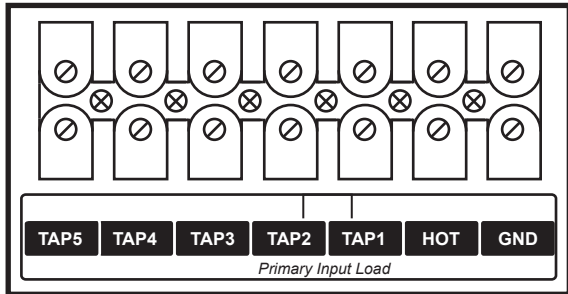


## PRIMARY

Line Voltage

## SECONDARY

Low Voltage



**RED = Positive**  
**YELLOW = Negative**

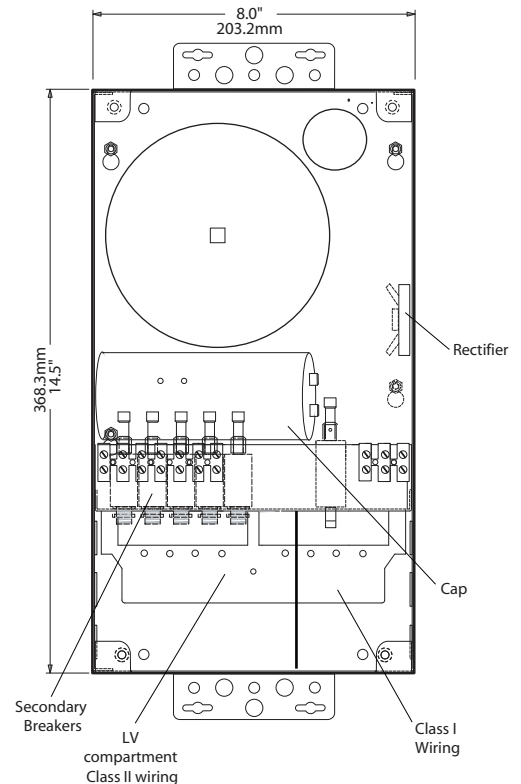
**NOTE:** Primary Input - connect the 120V hot into block labeled Hot. Connect the neutral wire into Tap 1 - Tap 5 depending on desired output Voltage.(Not to exceed 12V or 24V)

QTM-DC/DC+CAP		<input type="radio"/> 120VAC	<input type="radio"/> 230V/50Hz	<input type="radio"/> 277VAC	<input type="radio"/> 12V	<input type="radio"/> 24V	SECONDARY WIRE CONNECTION	
Model	Input Voltage (V)	Input Current (A)	Frequency	Nominal Output Voltage (VDC)	Nominal Output Wattage (W)	+ Red - Yellow		
<input type="radio"/> QTM60 DC	120 / 277	0.67 / 0.29	50/60	12/24	60			Q-Tran, Inc. 239924 CLASS: 3425 - 15 3425 - 95 
<input type="radio"/> QTM100 DC	120 / 277	1.1 / 0.49	50/60	12/24	100			
<input type="radio"/> QTM120 DC	120 / 277	1.3 / 0.58	50/60	12/24	120			
<input type="radio"/> QTM150 DC	120 / 277	1.7 / 0.7	50/60	12/24	150			
<input type="radio"/> QTM180 DC	120 / 277	2.0 / 0.87	50/60	12/24	180			
<input type="radio"/> QTM200 DC	120 / 277	2.3 / 0.98	50/60	12/24	200			
<input type="radio"/> QTM240 DC	120 / 277	2.7 / 1.2	50/60	12/24	240			
<input type="radio"/> QTM300 DC	120 / 277	3.4 / 1.5	50/60	12/24	300			
<input type="radio"/> QTM360 DC	120 / 277	4.1 / 1.8	50/60	12/24	360			
<input type="radio"/> QTM400 DC	120 / 277	4.5 / 2.0	50/60	12/24	400			
<input type="radio"/> QTM500 DC	120 / 277	5.6 / 2.4	50/60	24	500			
<input type="radio"/> QTM600 DC	120 / 277	6.7 / 2.9	50/60	24	600			
<input type="radio"/> QTM60 DC+CAP	120 / 277	0.9 / 0.4	50/60	12/24	60			
<input type="radio"/> QTM100DC+CAP	120 / 277	1.3 / 0.5	50/60	12/24	100			
<input type="radio"/> QTM120DC+CAP	120 / 277	1.4 / 0.6	50/60	12/24	120			
<input type="radio"/> QTM200DC+CAP	120 / 277	2.4 / 1.0	50/60	24	200			

This product must be installed in accordance with the applicable installation code by a person familiar with the construction and operation of the product and the hazards involved.

- WALL MOUNT ONLY
- SUITABLE FOR DAMP LOCATIONS
- 50/60 CYCLE A.C. ONLY
- FOR SUPPLY CONNECTIONS USE WIRE RATED FOR AT LEAST 75 C.
- USE DIMMERS RATED FOR MAGNETIC LOW VOLTAGE LOAD
- MADE IN THE U.S.A.

**LOW VOLTAGE LUMINAIRE POWER SUPPLY CENTER**



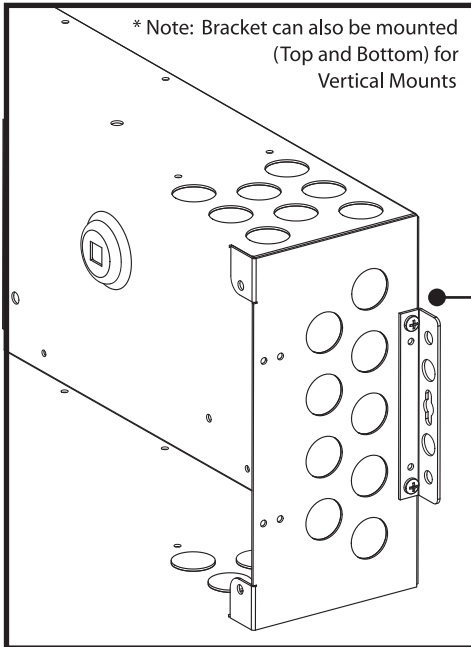
**Must test all voltage readings with a True RMS Voltage Meter.**



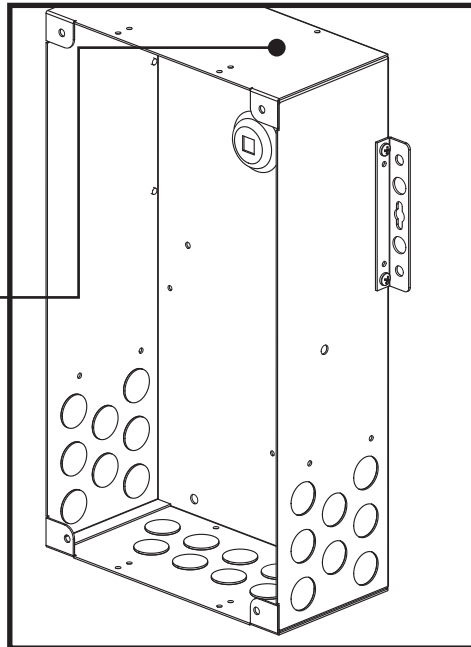
ENLIGHTENED THINKING™

# Installation Instructions

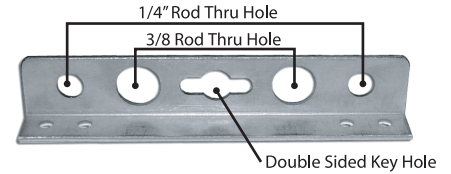
## QTM-DC & DC+CAP Housing Mounting



Surface Mount ( Horizontal )



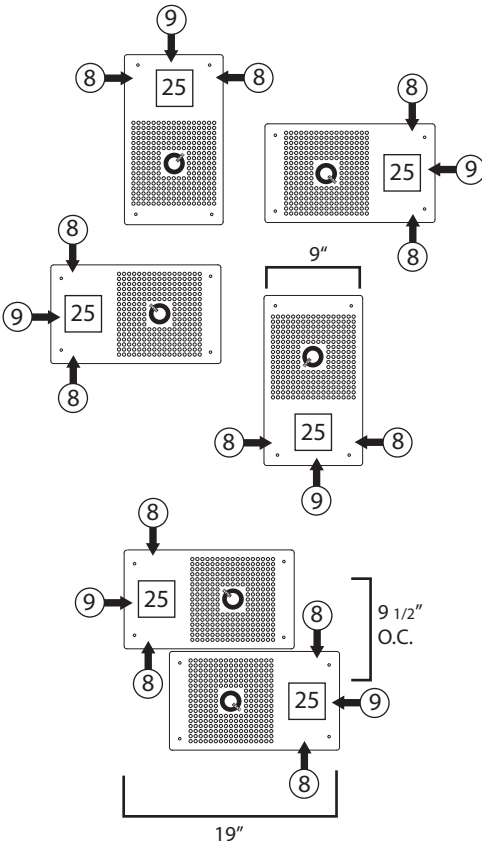
Surface Mount ( Vertical )



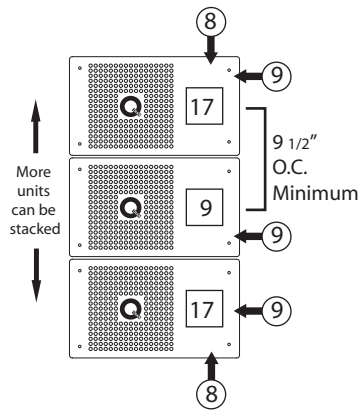
**This face of bracket mounts to: Wall**

### Surface Wall

Note: Surface Mounting can be done on six different planes.



### Surface Stacking



**Note:** knockouts are located where # are shown.

← # = Number of available Knockouts per side

☐ # = Total number of available Knockouts per unit

### Surface Spacing

