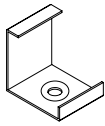


# MOUNTING INSTALLATION

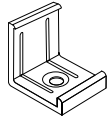
## EXTRUSIONS - CORNER - TELA



**MOUNTING** NOTE: 2 clips provided for 4' or less;  
4 clips provided for greater than 4'

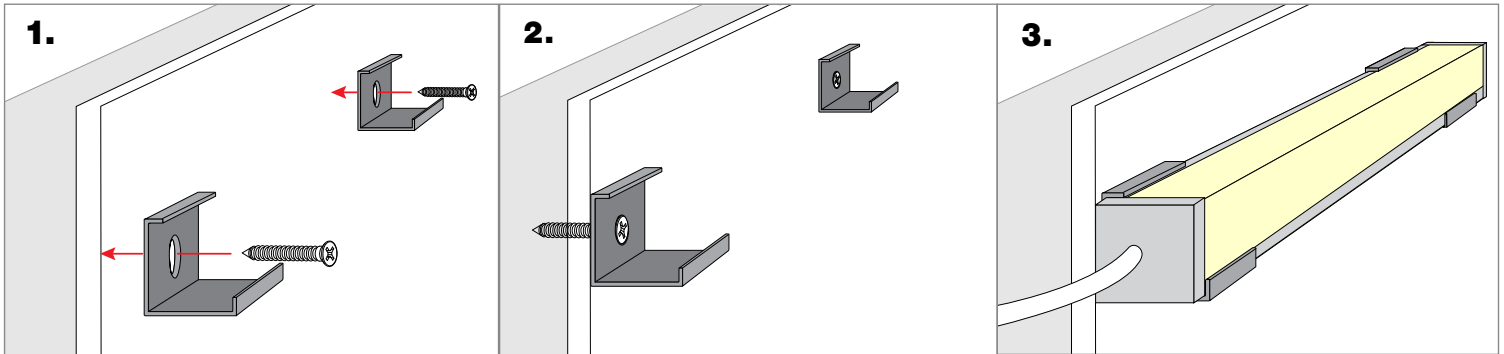


TELA-SST

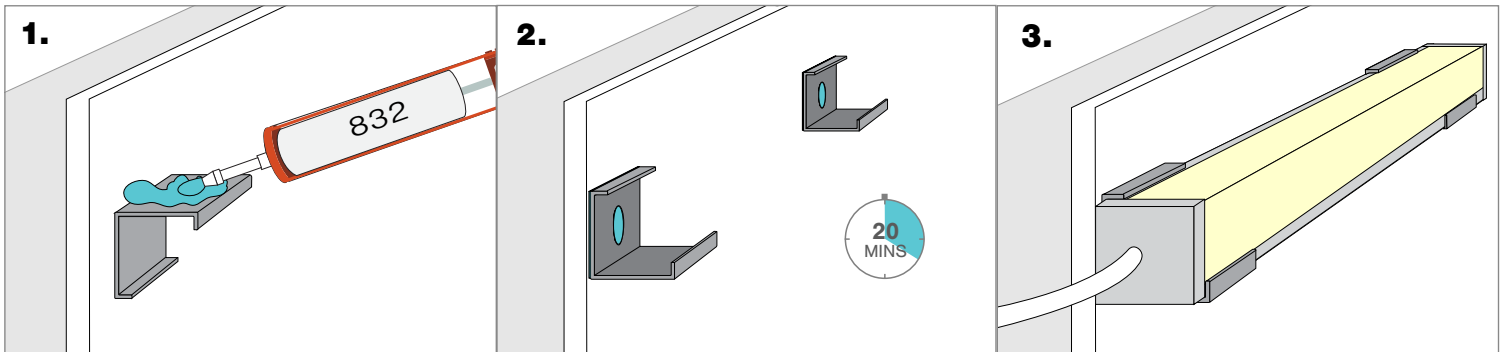


TELA-PL

### Screw Mounting

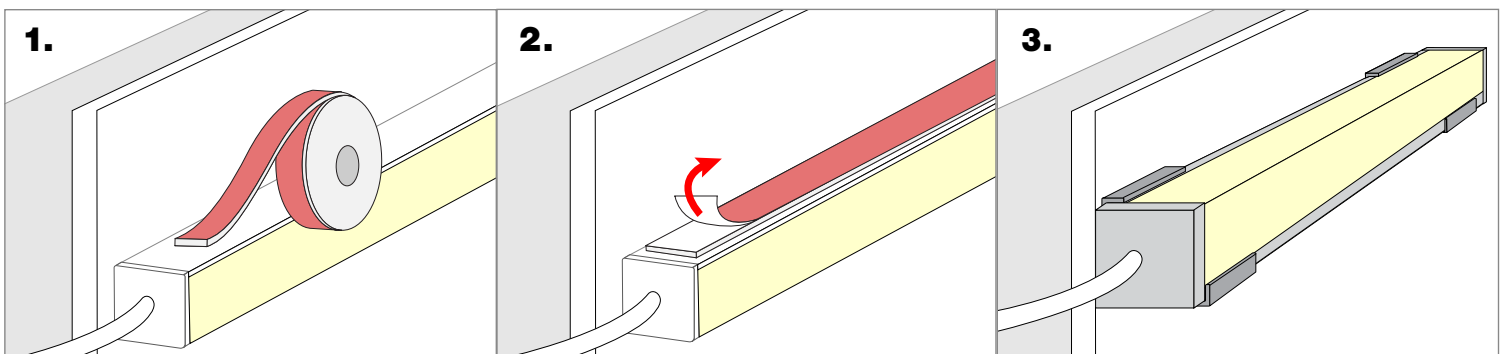


### 832 Silicone Mounting



**NOTE:** 832 Silicone use in a well-ventilated area, 832 Silicone sold with Caulking gun. Do not use in any submersible applications.

### VHB Mounting



**NOTES:** • Field modifications must comply with Q-Tran's installation methods otherwise warranty is null and void