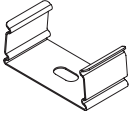


MOUNTING INSTALLATION

EXTRUSIONS - CORNER - VEGA

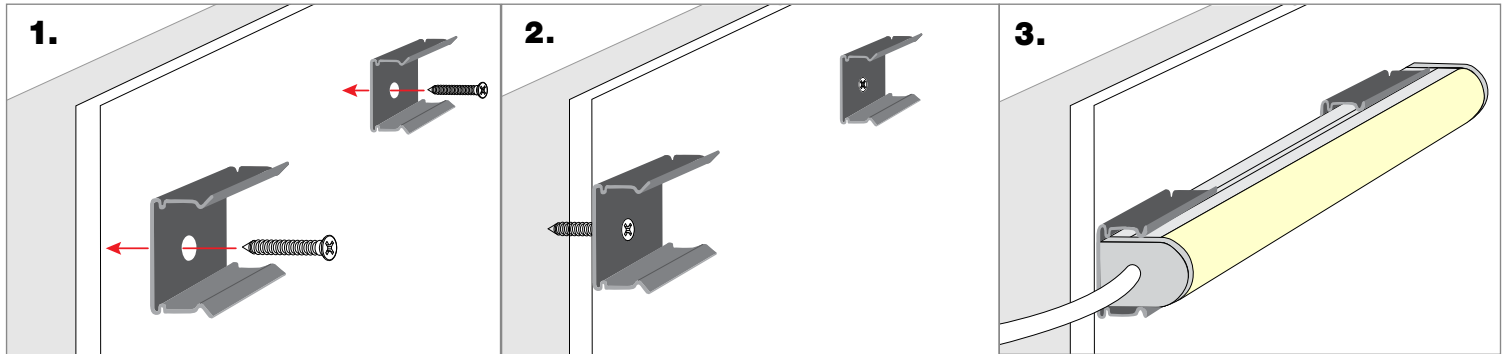


MOUNTING

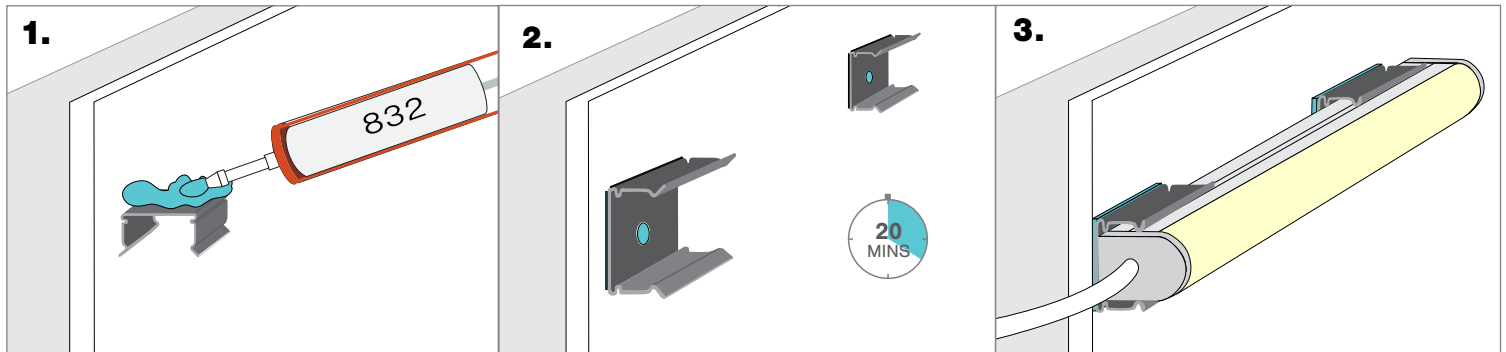


VEGA-SST

Stainless Steel Installation

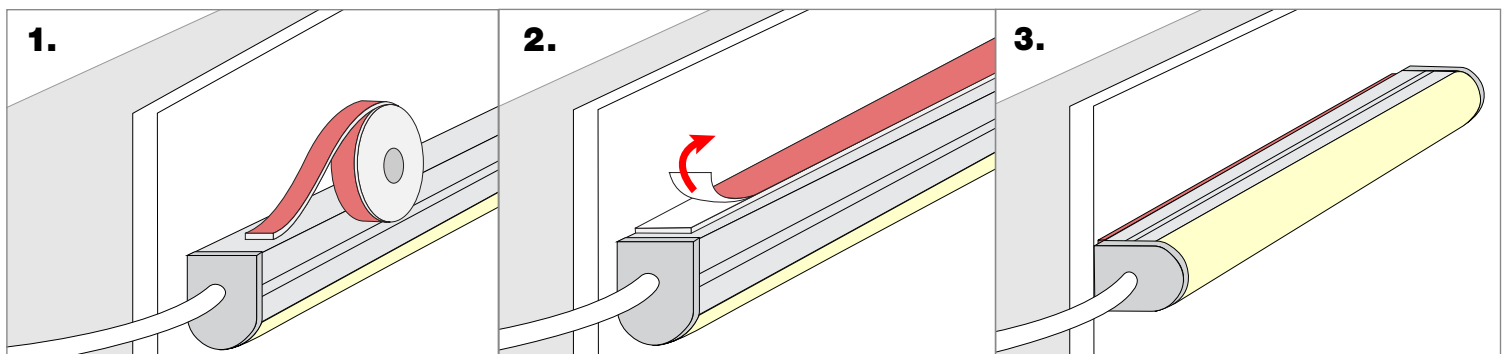


832 Silicone Installation



NOTE: 832 Silicone use in a well-ventilated area, 832 Silicone sold with Caulking gun. Do not use in any submersible applications.

VHB Installation



NOTES: • Field modifications must comply with Q-Tran's installation methods otherwise warranty is null and void