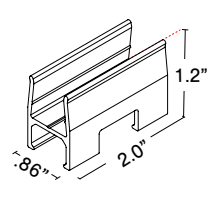


INSTALLATION

FIXTURES - POOL & SPA - KURV

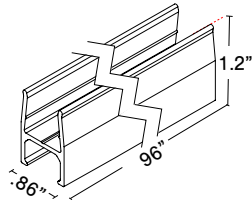


PVC MOUNT CLIP & PVC CHANNEL



PPS

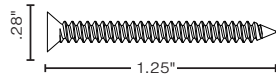
Connects two fixtures



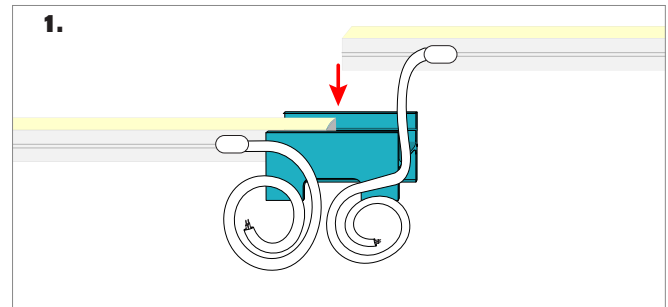
PPS-96

Field modifiable

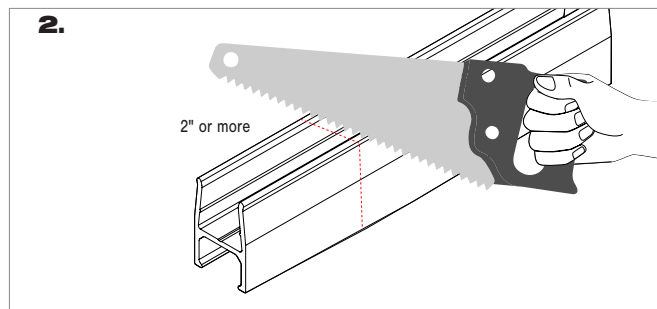
INCLUDED HARDWARE



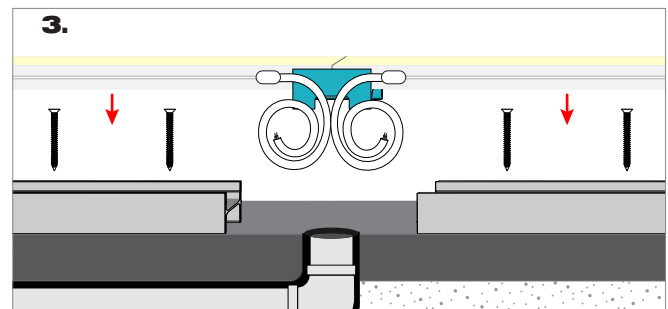
#6x1 1/4 Flat Head Screw



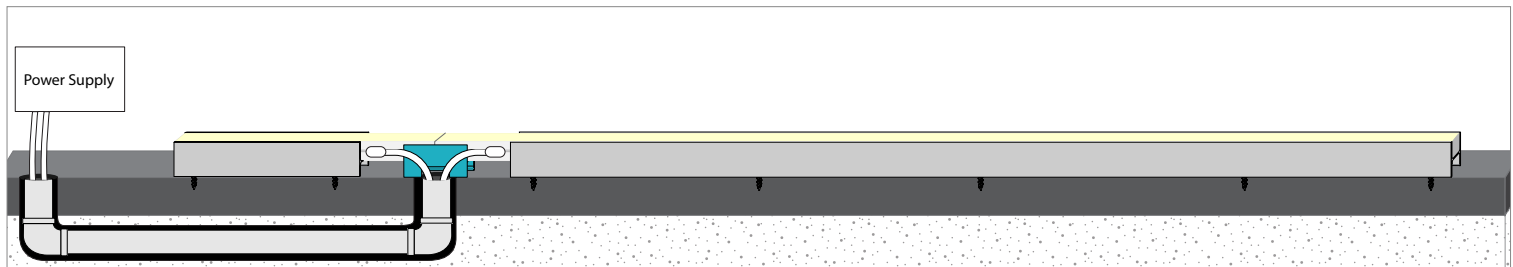
Press both fixtures into PPS clip.



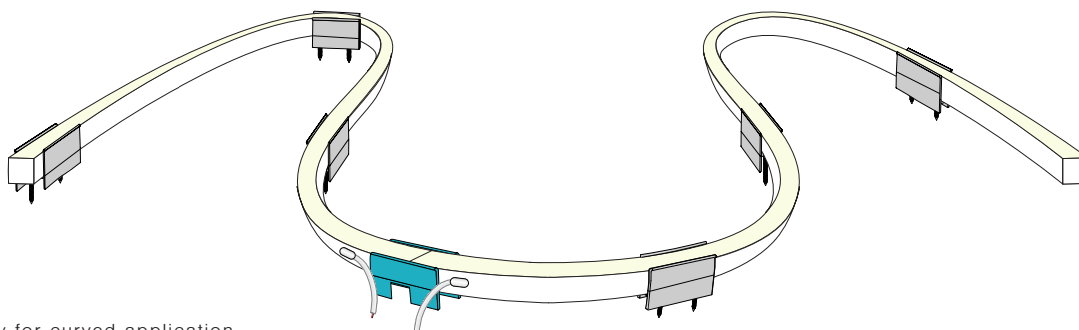
Cut PPS-96 to any length, no smaller than 2".



Install PPS Clips to Pre mount backer board.
Snap fixture into PPS and PPS-96.



Finished Assembly for straight runs



Finished Assembly for curved application