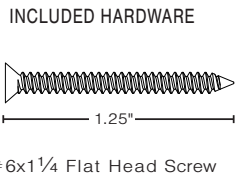
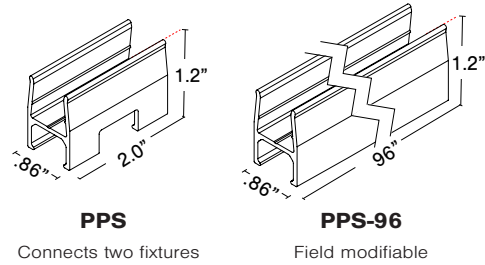


INSTALLATION

FIXTURES - POOL & SPA - BOXA

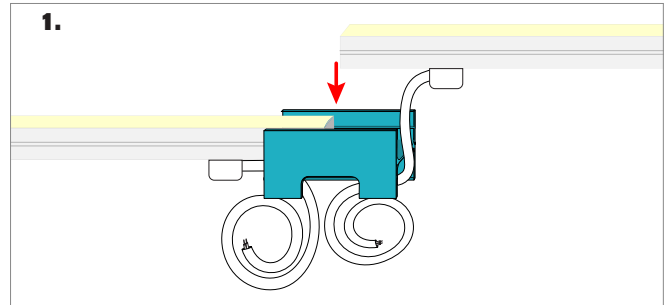


PVC MOUNT CLIP & PVC CHANNEL

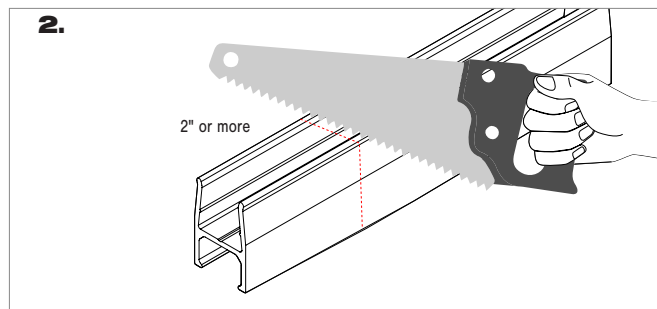


PPS
Connects two fixtures

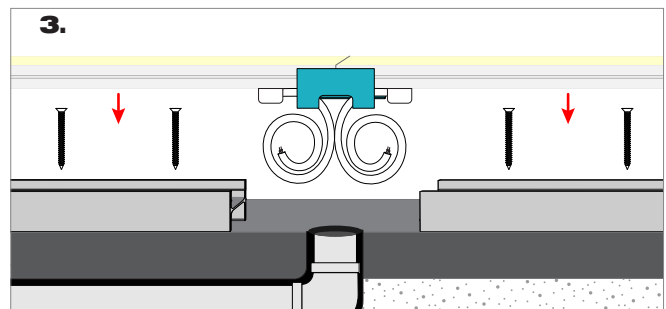
PPS-96
Field modifiable



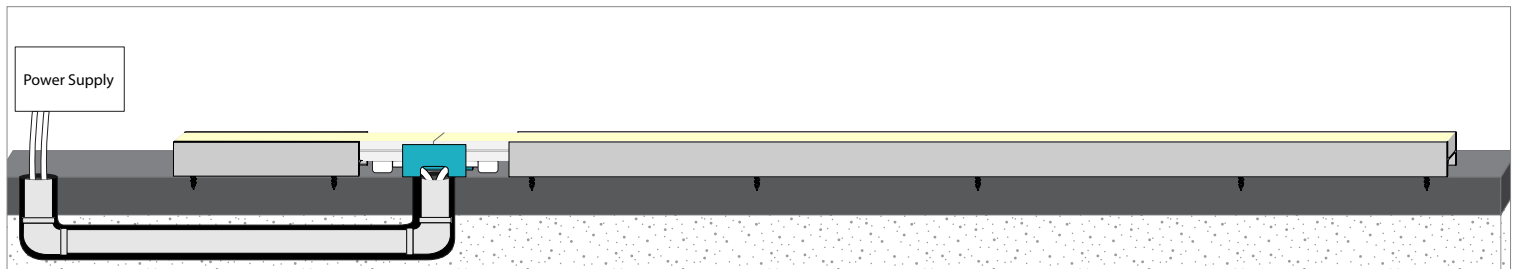
Press both fixtures into PPS clip.



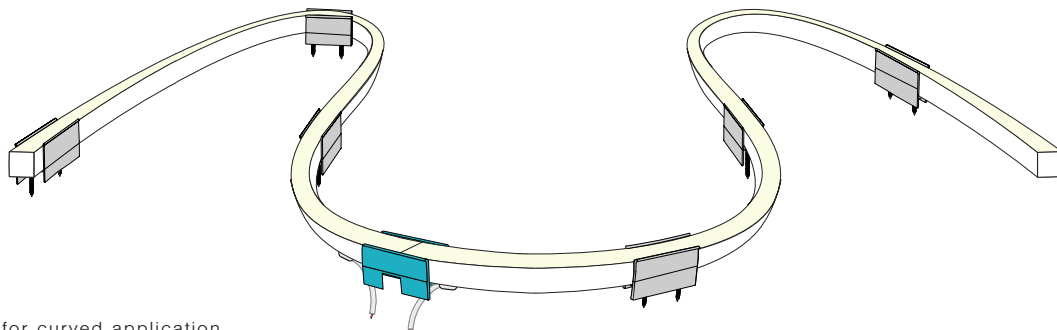
Cut PPS-96 to any length, no smaller than 2".



Install PPS Clips to Pre mount backer board.
Snap fixture into PPS and PPS-96.



Finished Assembly for straight runs



Finished Assembly for curved application