

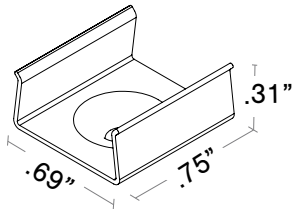
INSTALLATION

FIXTURES - FLEXIBLE - WURM

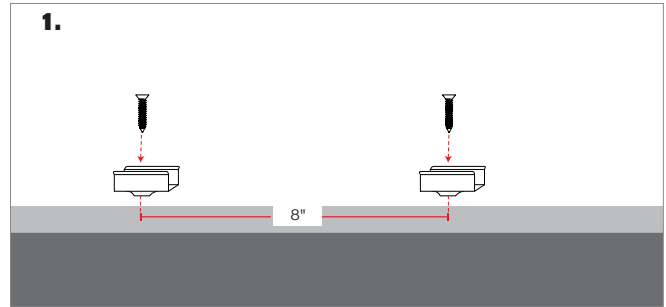
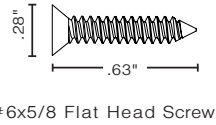


WHITE SNUG CLIP SMALL

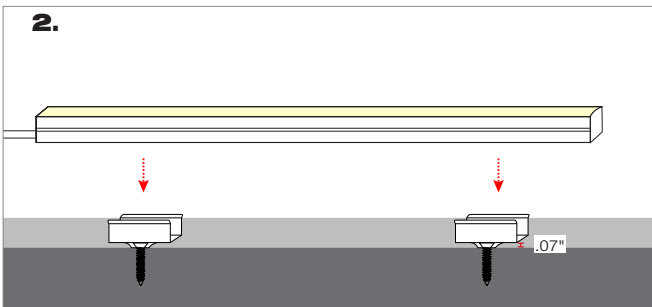
NOTE: White Snug Clip Small spacing every 12" on center



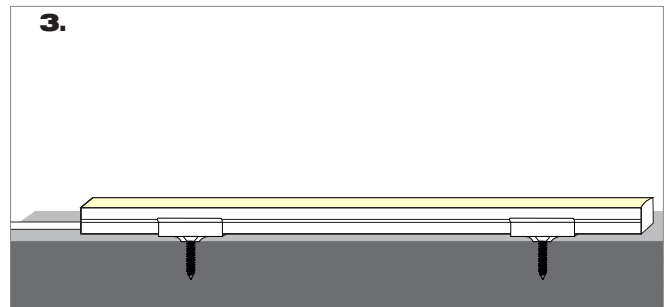
INCLUDED HARDWARE



1. Mount White Snug Clip with provided flat head screw.



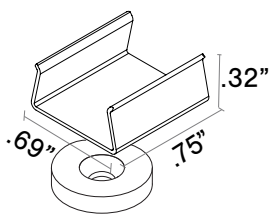
2. Align fixture to White Snug Clips matching distances.



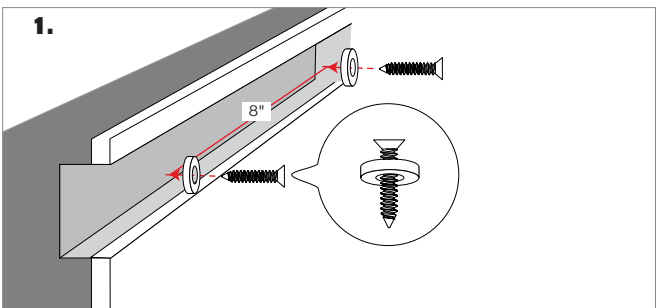
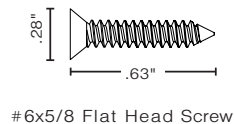
3. Press fixture into White Snug Clips.

MAGETIC CLIP SMALL

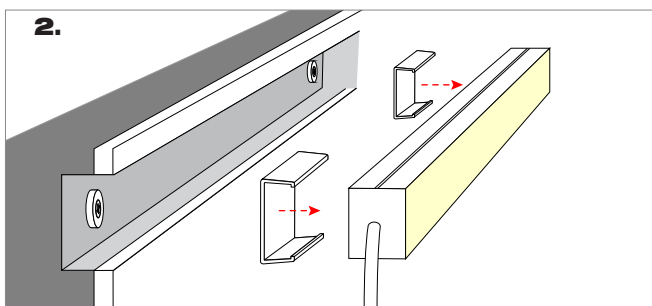
NOTE: Magnetic Clip Small spacing every 12" on center



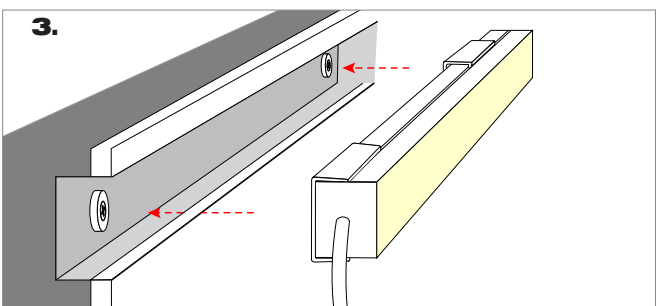
INCLUDED HARDWARE



1. Install magnet rings with provided flat head screw.



2. Attach Clips to fixture matching magnet distances.



3. Align and snap fixture to magnetic rings.