



QT50-75

12V, 120/277 : Specification Sheet Low Voltage Magnetic Transformer

MODEL NUMBERS:

QT50-75CK-PT-RC
TOR-50-75CK-TP

QT50-75CK-PT-277-RC
TOR5075CKPT-27

FEATURES

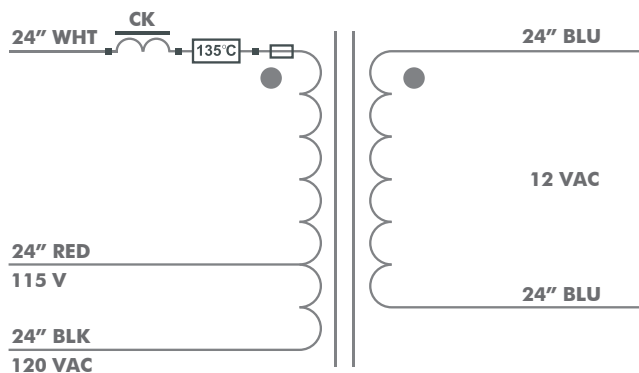
1. Power Rating: 50-75 Watts
2. Primary Voltage: 120V (60Hz) or 277V (60Hz)
3. Secondary Voltage: 12V
4. Class F insulation system
5. Quiet operation at any light level
6. Internal Auto Reset Thermal protector on the primary
7. Fully dimmable with Magnetic Low Voltage dimmer
8. 4-6% more efficient than a laminated & Electronic transformer
9. Multi taps to compensate for losses in the dimmer

IMPORTANT:

1. Dimmers must be rated for Magnetic loads.
2. Cap Red or Black wire not used with a wire nut.

*For switched loads use Black & White wire.

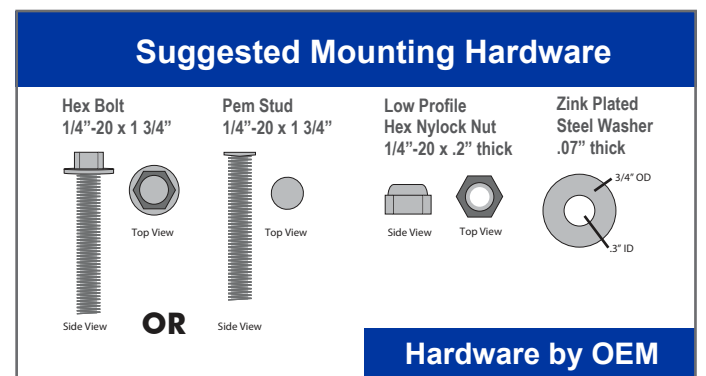
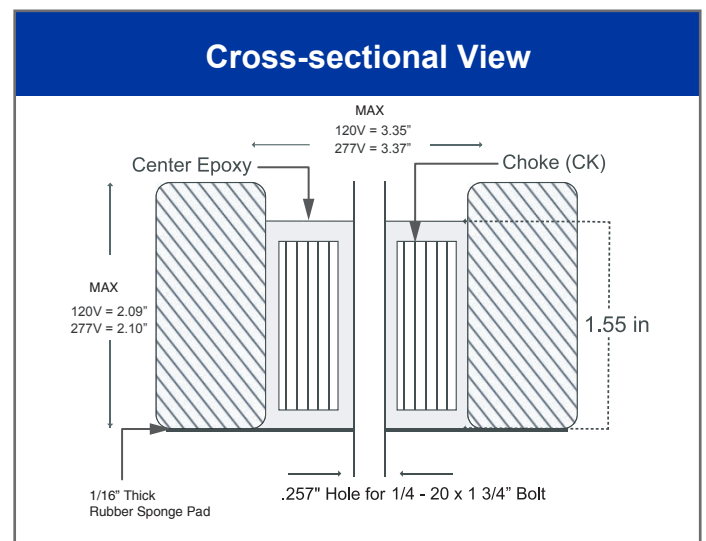
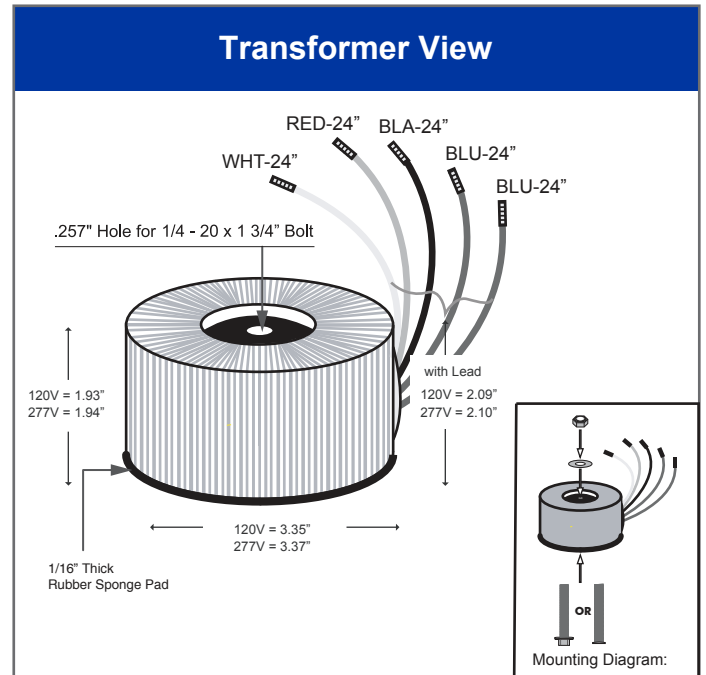
*For dimmed loads use Red & White wire.



* Dimensions have tolerance

* Q-Tran, Inc. reserves the right to change product specifications at any time without incurring obligations.

* This Series was formally the LQT Series



*Torque Requirements: minimum: 20 inch pounds
maximum: 25 inch pounds

