

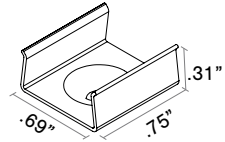
# INSTALLATION

## FIXTURES - FLEXIBLE - WURM

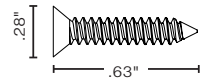


### WHITE SNUG CLIP SMALL

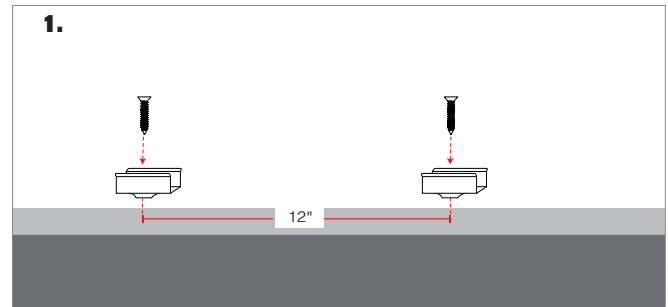
**NOTE:** White Snug Clip spacing every 12"



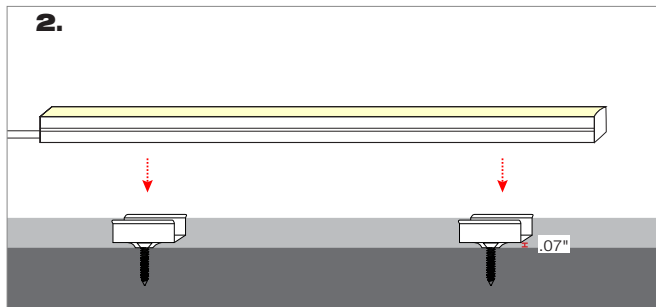
#### INCLUDED HARDWARE



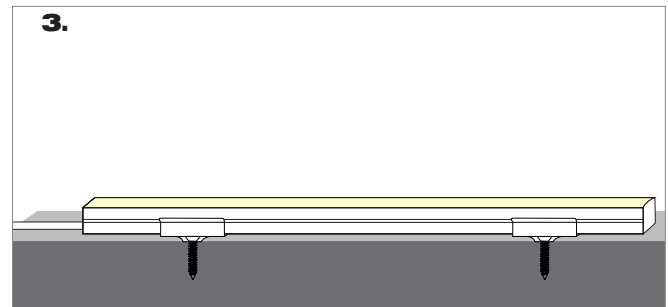
#6x5/8 Flat Head Screw



Mount White Snug Clip with provided flat head screw.



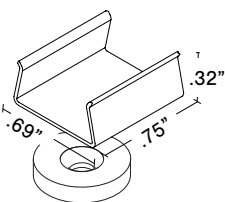
Align fixture to White Snug Clips matching distances.



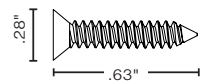
Press fixture into White Snug Clips.

### MAGNETIC CLIP SMALL: Cove use only

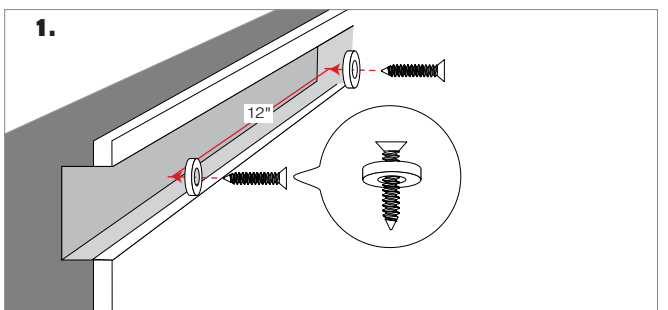
**NOTE:** Magnetic Clip spacing every 12"



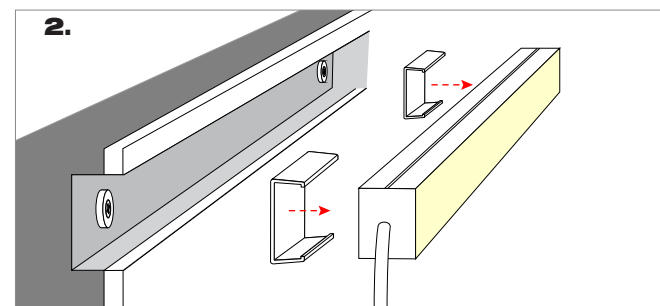
#### INCLUDED HARDWARE



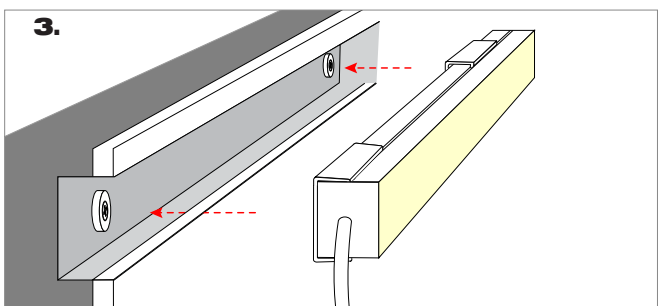
#6x5/8 Flat Head Screw



Install magnet rings with provided flat head screw.



Attach Clips to fixture matching magnet distances.



Align and snap fixture to magnetic rings.