

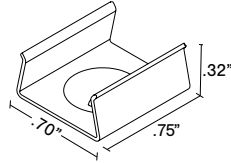
# RESOURCE GUIDE - MOUNTING FIXTURES - FLEXIBLE - WURM-DW



**MOUNTING** NOTE: 2 clips provided per first 12", 1 clip provided per additional foot

## WHITE SNUG CLIP SMALL

- For indoor/outdoor use
- Surface mounting
- Stainless Steel/Corrosion resistant
- Discrete mounting
- White glossy finish

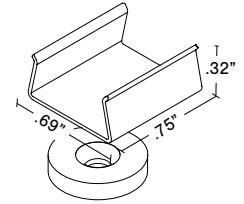


## MOUNTING HARDWARE

- #6 - 5/8" (one provided for each clip)
- 832 Silicone (sold separately)

## MAGNETIC CLIP SMALL

- For indoor/outdoor use
- Steel clip
- Neodymium magnet
- Easy install
- Easily detachable
- COVE USE ONLY
- White glossy finish



## MOUNTING HARDWARE

- #6 - 1 1/4" (one provided for each clip)
- 832 Silicone (sold separately)

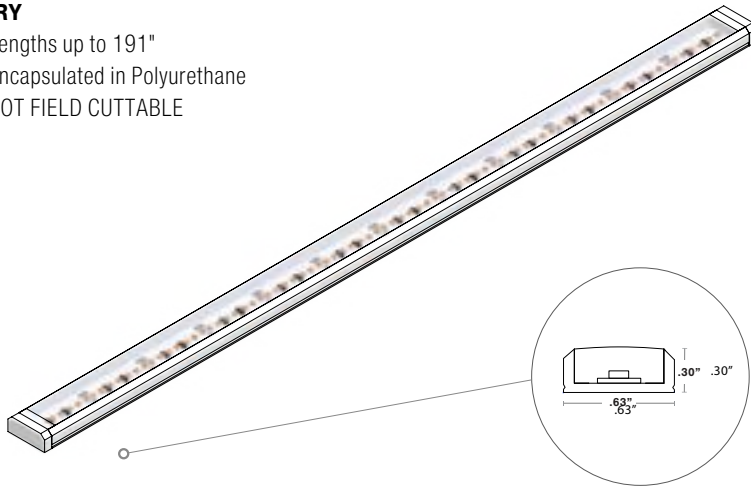
# RESOURCE GUIDE - LINEAR FIXTURES - FLEXIBLE - WURM-DW



## RATED

### DRY

- Lengths up to 191"
- Encapsulated in Polyurethane
- NOT FIELD CUTTABLE



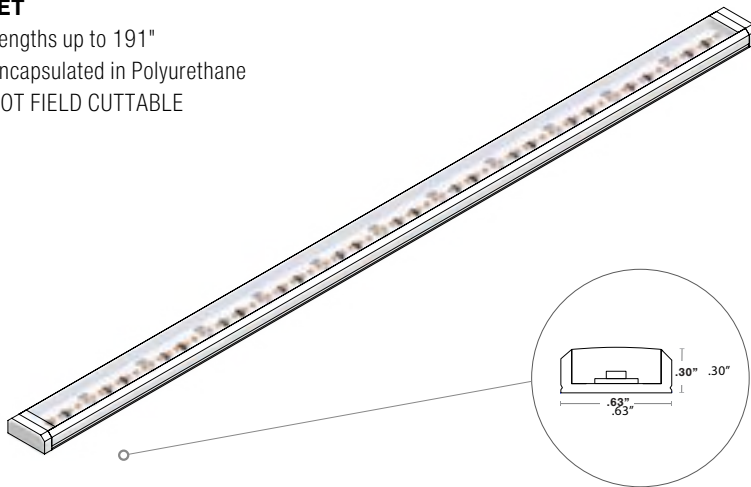
### COMPATIBLE CONNECTORS

Bare Wire (BW) 24"



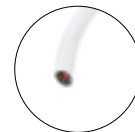
### WET

- Lengths up to 191"
- Encapsulated in Polyurethane
- NOT FIELD CUTTABLE



### COMPATIBLE CONNECTORS

Bare Wire (BW) 24"



# RESOURCE GUIDE - COLOR DATA

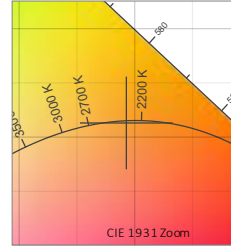
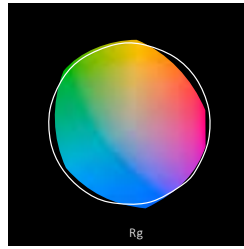
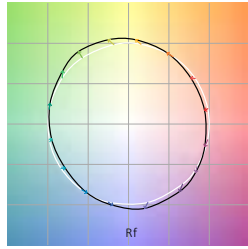
## FIXTURES - FLEXIBLE - WURM-DW-DRY



### 2400K

2318 K

CRI: 91.7  
 CRI R9: 62.3  
 TM30 Rf: 87.7  
 TM30 Rg: 103.3  
 CQS: 84.6  
 X: 0.493  
 Y: 0.413  
 U: 0.283  
 V: 0.356  
 Δuv: -0.0007



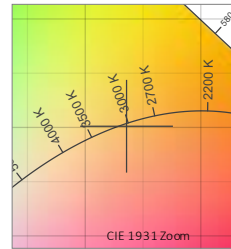
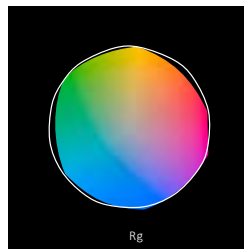
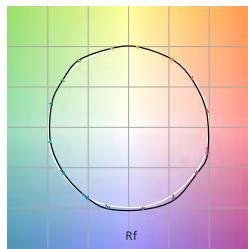
R1	R2	R3	R4	R5	R6	R7	R8	R9	R10	R11	R12	R13	R14	R15	
92.6	94.7	94.0	92.4	91.2	93.6	92.4	82.7	62.3	85.6	92.7	81.0	93.0	95.1	89.0	
Q1	Q2	Q3	Q4	Q5	Q6	Q7	Q8	Q9	Q10	Q11	Q12	Q13	Q14	Q15	
81.9	91.8	83.1	84.2	85.2	81.1	78.5	83.7	93.1	87.4	87.4	87.5	88.4	84.4	82.9	
C1	C2	C3	C4	C5	C6	C7	C8	C9	C10	C11	C12	C13	C14	C15	C16
89.7	89.3	80.4	86.5	88.7	86.7	84.8	88.4	91.3	90.2	87.5	86.0	89.0	84.0	89.0	86.5

TM30			
Hue Bin	Rr	Chroma	Hue
1	90	-4%	-1%
2	89	-4%	4%
3	80	0%	9%
4	86	4%	7%
5	89	7%	6%
6	87	9%	0%
7	85	4%	-8%
8	88	0%	-7%
9	91	-3%	-3%
10	90	-4%	3%
11	88	0%	7%
12	86	3%	6%
13	89	6%	-5%
14	84	6%	-8%
15	89	2%	-7%
16	86	-2%	-9%

### 3000K

2999 K

CRI: 95.8  
 CRI R9: 89.4  
 TM30 Rf: 92.3  
 TM30 Rg: 102.1  
 CQS: 92.4  
 X: 0.436  
 Y: 0.401  
 U: 0.251  
 V: 0.347  
 Δuv: -0.0010



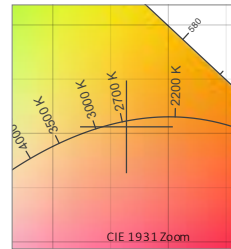
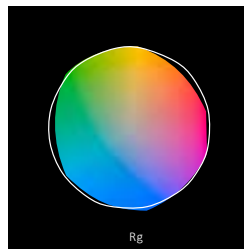
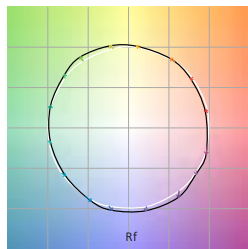
R1	R2	R3	R4	R5	R6	R7	R8	R9	R10	R11	R12	R13	R14	R15	
97.2	96.5	93.3	96.2	95.7	94.0	97.5	96.1	89.4	89.8	95.5	79.2	96.9	95.3	97.1	
Q1	Q2	Q3	Q4	Q5	Q6	Q7	Q8	Q9	Q10	Q11	Q12	Q13	Q14	Q15	
95.8	97.7	86.6	87.8	92.2	92.0	89.6	93.6	95.6	92.9	93.1	94.4	95.8	95.5	95.3	
C1	C2	C3	C4	C5	C6	C7	C8	C9	C10	C11	C12	C13	C14	C15	C16
95.5	95.8	90.9	93.3	92.3	93.9	94.3	96.3	95.2	89.0	85.8	88.1	94.6	91.2	92.8	88.4

TM30			
Hue Bin	Rr	Chroma	Hue
1	96	-2%	-1%
2	96	-1%	1%
3	91	0%	4%
4	93	0%	3%
5	92	0%	3%
6	94	3%	0%
7	94	0%	-1%
8	96	-1%	-2%
9	95	-2%	1%
10	89	-2%	6%
11	86	1%	10%
12	88	4%	5%
13	95	3%	0%
14	91	6%	-2%
15	93	2%	-3%
16	88	3%	-8%

### 2400K-3000K

2614 K

CRI: 94.7  
 CRI R9: 78.0  
 TM30 Rf: 90.8  
 TM30 Rg: 103.1  
 CQS: 89.8  
 X: 0.464  
 Y: 0.406  
 U: 0.267  
 V: 0.351  
 Δuv: -0.0020



R1	R2	R3	R4	R5	R6	R7	R8	R9	R10	R11	R12	R13	R14	R15	
96.3	96.7	94.3	95.1	95.1	95.2	95.1	90.3	78.0	90.1	95.0	82.8	96.4	95.6	94.4	
Q1	Q2	Q3	Q4	Q5	Q6	Q7	Q8	Q9	Q10	Q11	Q12	Q13	Q14	Q15	
90.5	95.9	85.8	87.1	90.9	88.6	84.8	89.3	95.7	91.0	90.9	91.4	92.6	91.4	90.7	
C1	C2	C3	C4	C5	C6	C7	C8	C9	C10	C11	C12	C13	C14	C15	C16
93.5	93.6	87.2	90.6	92.1	90.4	91.0	93.1	95.4	90.9	85.6	88.3	92.1	89.0	92.3	86.9

TM30			
Hue Bin	Rr	Chroma	Hue
1	94	-3%	-1%
2	94	-2%	2%
3	87	0%	6%
4	91	1%	4%
5	92	4%	4%
6	90	6%	0%
7	91	3%	-4%
8	93	0%	-4%
9	95	-2%	-1%
10	91	-2%	5%
11	86	1%	9%
12	88	4%	4%
13	92	5%	-2%
14	89	6%	-5%
15	92	1%	-4%
16	87	1%	-9%

**NOTES:**

- CRI R values, only R1-R8 are used to calculate RA CRI values
- TM30 C values, 16 binned values out of total of 99 C values
- CQS Q values
- Data subject to change, all data has +/- 5% tolerance

# RESOURCE GUIDE - FLEXIBLE FIXTURES

## FIXTURES - FLEXIBLE - WURM-DW



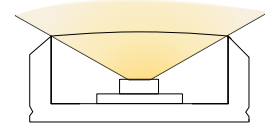
### LENS



**ENC/CL** Encapsulated in Clear

**ENC/TL** Encapsulated in Translucent

### LIGHT ORIENTATION



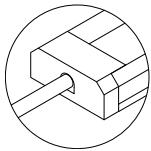
SYMMETRICAL

### CONNECTORS

Bare Wire (BW) 24"

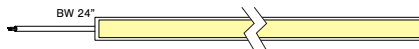


### TYPE



.13" added at end

**S1** - Input only



**P1** - Input/Output



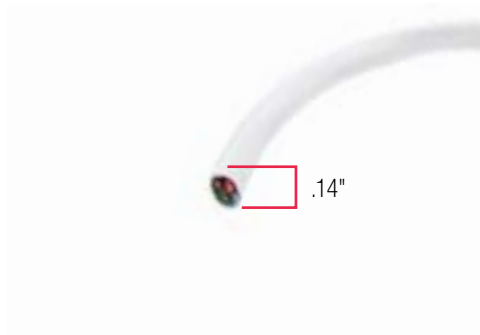
# RESOURCE GUIDE - CONNECTORS/WIRE FIXTURES - FLEXIBLE - WURM-DW



## CONNECTORS/WIRE

### BARE WIRE

- Belden Wire
- Outdoor rated
- 24" Standard length



## RELATED PRODUCTS

Q-mini-J\*

Sold: Individually



Junction Box that allows for splicing of LED Lead wires

\*Full ordering guide available for this product