



iQ LED TAPE LIGHT **2935 CHIP SERIES**
iQ20 7.5 W/ft: DRY RATED



iQ20 LED Flexible Tape Light is available in 2500K, 2700K, 3000K, 3500K, and 4000K. This easy to install, flexible product is suitable for indoor, dry locations and can be cut to specification at Q-Tran or in the field. This specific iQ20 LED Flexible Tape Light is available in 7.5 watts per foot with a Chip 2935, is 24VDC, and has a CRI of over 90. It is ideal for cove lighting, cabinet lighting, office shelves, wine racks, accents, toekicks, retail displays and more.

iQ20	-		-	29	-	90	-	7.5	-	
iQ Series		Color Temp		Chip		CRI		Watts Per FT		Length

FEATURES

- LED life time - 40,000 hours
- Operating temperature: -4°F ~ +113°F
- Suitable for Dry locations
- Lead wire rated for Plenum and In-Wall use
- Non-Ferrous Material
- 1.97" cut points
- Field cuttable
- Extrusion is required for this product
- 3 year warranty

iQ20-25-29-90-7.5

Max Run / Reel Length: 12.5ft* | ColorTemp: 2500K | Voltage: 24VDC
 CRI: 90+ | LM: 79 | Watts Per Ft: 7.5 | Lumens Per Ft: 554

iQ20-27-29-90-7.5

Max Run / Reel Length: 12.5ft* | ColorTemp: 2700K | Voltage: 24VDC
 CRI: 90+ | LM: 79 | Watts Per Ft: 7.5 | Lumens Per Ft: 567

iQ20-30-29-90-7.5

Max Run / Reel Length: 12.5ft* | ColorTemp: 3000K | Voltage: 24VDC
 CRI: 90+ | LM: 79 | Watts Per Ft: 7.5 | Lumens Per Ft: 568

iQ20-35-29-90-7.5

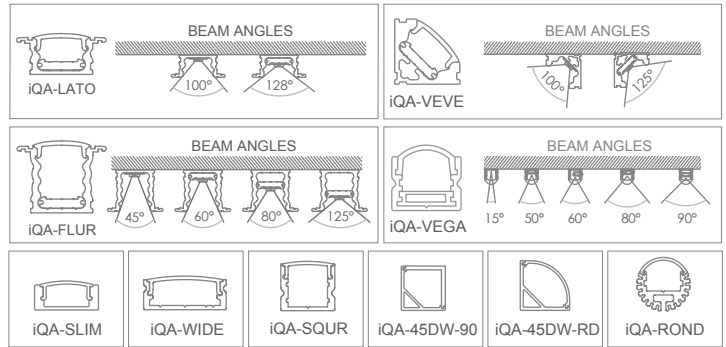
Max Run / Reel Length: 12.5ft* | ColorTemp: 3500K | Voltage: 24VDC
 CRI: 90+ | LM: 79 | Watts Per Ft: 7.5 | Lumens Per Ft: 602

iQ20-40-29-90-7.5

Max Run / Reel Length: 12.5ft* | ColorTemp: 4000K | Voltage: 24VDC
 CRI: 90+ | LM: 79 | Watts Per Ft: 7.5 | Lumens Per Ft: 664

*Maximum length for one run of iQ20 LED 7.5. Individual Power supply cut sheets will provide max distance/loads per power supply.

COMPATIBLE EXTRUSIONS

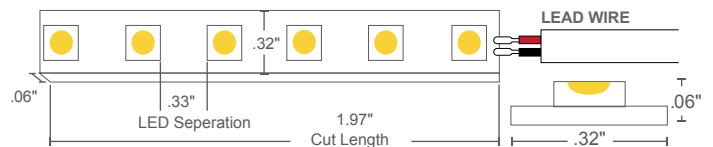


COMPATIBLE POWER SUPPLIES

Indoor

- Q6M-DC+CAP
- QTM-DC+CAP
- QTM-eLED, QTM-eLED(L), QTM-eLED(E)
- iQ-PH, iQ-PH+QD1

DIMENSIONS



NOTE • Q-Tran offers multiple LED Chip offerings based upon size and pitch, each utilizing its own binning. Utilization of multiple outputs within the same chip family will ensure flawless color matching and similar overall diffusion.
 • Field modifications of factory installed LEDs are not covered under Q-Tran warranty.



Cut marks of LED tape allows for changes in the field.
7.5 watts per foot = cut every 1.97"
 Lead wire comes standard on all LEDs in 18" (18/2 AWG)

2017.V02

PROJECT NAME	DATE	COMPANY	TYPE	NOTE