



iQ LED TAPE LIGHT 5050 CHIP SERIES

iQ20 MULTI-COLOR: DRY RATED



iQ20 is available in RGB. RGB refers to ability of each color produce the primary colors Red, Green and Blue. The flexible strip uses four (4) wires: red, green and blue with positive (Black).

iQ20 - MC - 50 - [] - []

iQ Series Color Chip Watts Per FT Length

FEATURES

- LED life time - 40,000 hours
- Operating temperature: -4°F ~ +113°F
- Suitable for Dry locations
- Non-Ferrous Material
- 3.94" & 6.55" cut points
- Field cuttable
- 3 year warranty

iQ20-MC-50-2.6

Max Run / Reel Length: 35ft* | Color: RGB | LM: 79
 Voltage: 24VDC | Watts Per Ft: 2.6
 Lumens Per Ft: Red = 21.4
 Lumens Per Ft: Green = 72.7
 Lumens Per Ft: Blue = 16.7
 Lumens Per Ft: All = 103

iQ20-MC-50-4.4

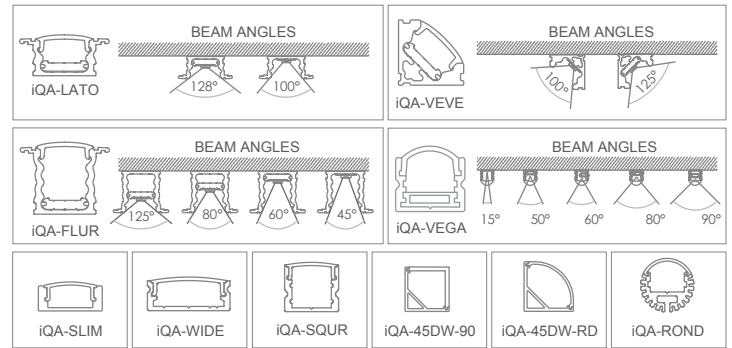
Max Run / Reel Length: 21ft* | Color: RGB | LM: 79
 Voltage: 24VDC | Watts Per Ft: 4.4
 Lumens Per Ft: Red = 39.6
 Lumens Per Ft: Green = 76.9
 Lumens Per Ft: Blue = 21
 Lumens Per Ft: All = 123

*Maximum length for one run of iQ20 LED Multi-color. Individual Power supply cut sheets will provide max distance/loads per power supply.

NOTE: Q-Tran offers multiple LED Chip offerings based upon size and pitch, each utilizing its own binning. Utilization of multiple outputs within the same chip family will ensure flawless color matching and similar overall diffusion.



COMPATIBLE EXTRUSIONS

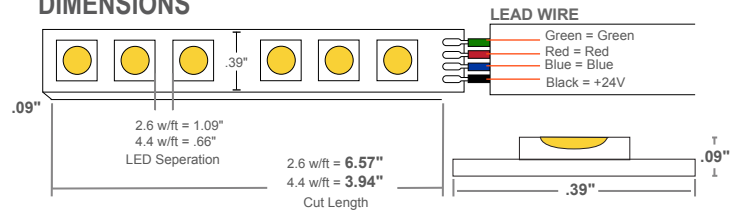


COMPATIBLE POWER SUPPLIES

Interior Applications

- QTM-eLED+DMX

DIMENSIONS



NOTE: Cut marks of LED tape allows for changes in the field.

2.6 watts per foot = cut every 6.57"
4.4 watts per foot = cut every 3.94"

Lead wire comes standard on all LEDs in 18" (22/4 AWG)



2016.V02

PROJECT NAME	DATE	COMPANY	TYPE	NOTE



iQ LED TAPE LIGHT IP20

POWER SUPPLY

QTM-eLED+DMX

: for interior

