



iQ LED TAPE LIGHT **5050 CHIP SERIES**

**iQ20 4.4 W/ft AMBER**: DRY RATED



TURTLE FRIENDLY



iQ20 LED Flexible Tape Light is rated for Wet Locations and is not submersible. It is available in Amber. iQ20 LED Flexible Tape Light is available in 4.4 watts per foot, 24VDC. This product will fulfill many outdoor applications where Turtle Friendly lighting is required., can be cut to length in the field or cut to length at the Q-Tran factory. The lumen output of this LED makes it perfect for most exterior or interior application where a coated LED is required.

<b>iQ20</b>	-	<b>AB</b>	-	<b>50</b>	-	<b>90</b>	-	<b>4.4</b>	-	
iQ Series		Color Temp		Chip		CRI		Watts Per FT		Length

**FEATURES**

- LED life time - 40,000 hours
- Operating temperature: -4°F ~ +113°F
- Suitable for Dry locations
- Non-Ferrous Material
- 3.94" cut points
- Field cuttable
- 3 year warranty

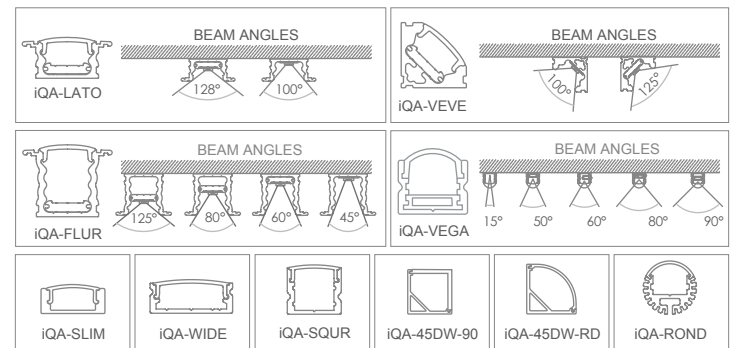
**iQ20-AB-50-4.4**

Max Run / Reel Length: 21ft\* | Color: AB (AMBER) | Voltage: 24VDC  
 CRI: 90+ | LM: 79 | WattsPer Ft: 4.4 | Wave Length: 585 - 595 nm

\*Maximum length for one run of iQ20 LED 4.4 Individual Power supply cut sheets will provide max distance/loads per power supply.

**NOTE:** Q-Tran offers multiple LED Chip offerings based upon size and pitch,each utilizing its own binning. Utilization of multiple outputs within the same chip family will ensure flawless color matching and similar overall diffusion.

**COMPATIBLE EXTRUSIONS**

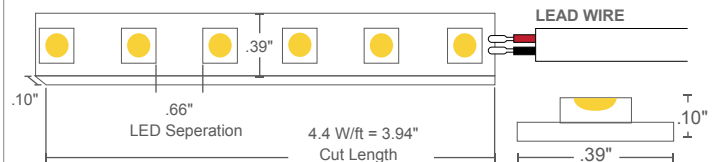


**COMPATIBLE POWER SUPPLIES**

**Interior Applications**

- QJB & QJBL
- Q6M-DC & DC+CAP
- QTM-eLED, QTM-DC & DC+CAP
- iQ-PH

**DIMENSIONS**



**NOTE:** Cut marks of LED tape allows for changes in the field.

**4.4 watts per foot= cut every 3.94"**

Lead wire comes standard on all LEDs in 18" (20/2 AWG)



2016.V02

PROJECT NAME	DATE	COMPANY	TYPE	NOTE

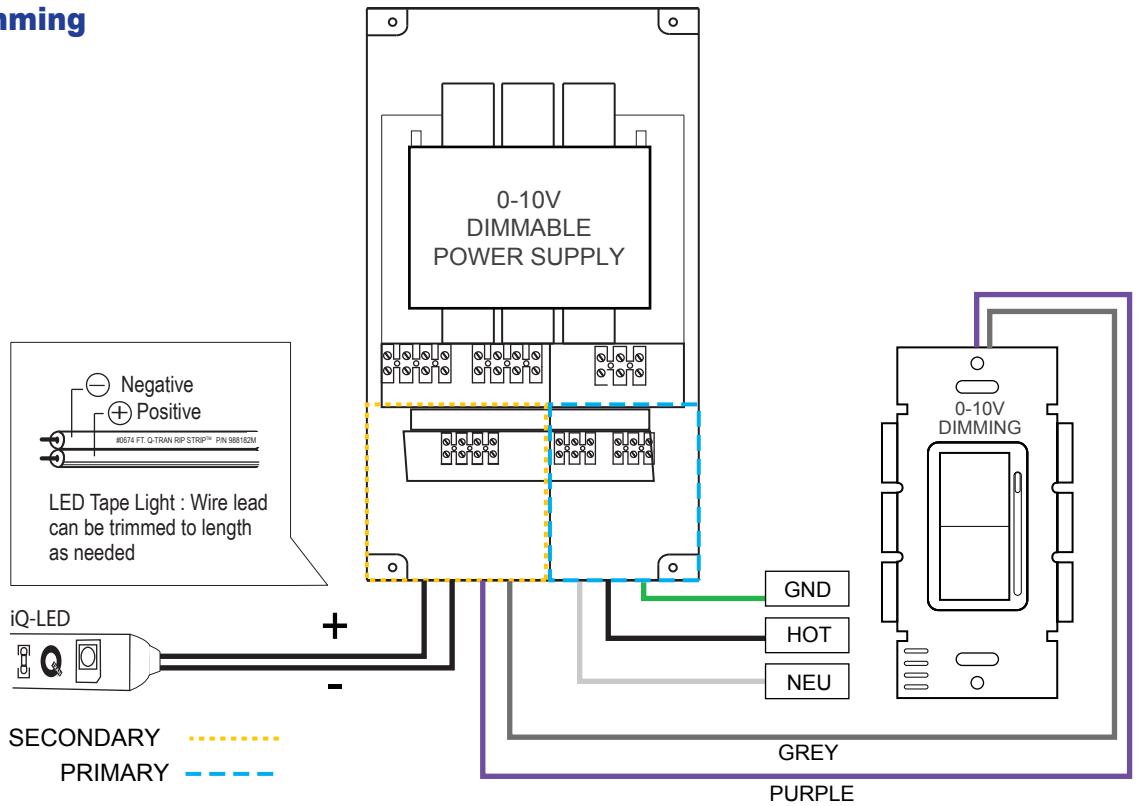


iQ LED TAPE LIGHT

# COMPATIBLE POWER SUPPLIES

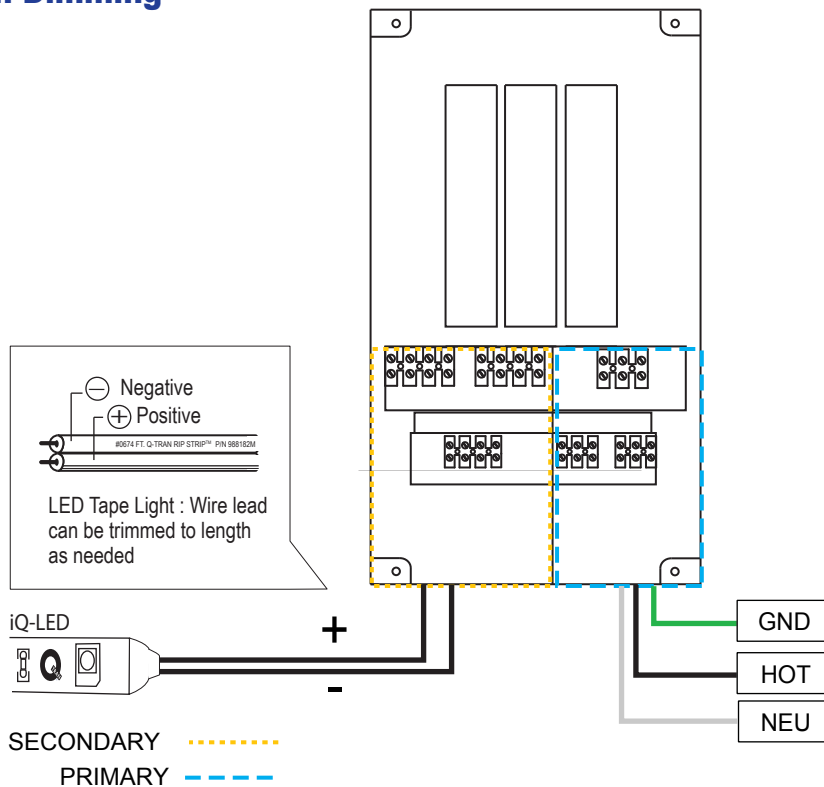
## Electronic 0-10V Dimming

QTM for interior



## Electronic Driver Non-Dimming

QTM for interior



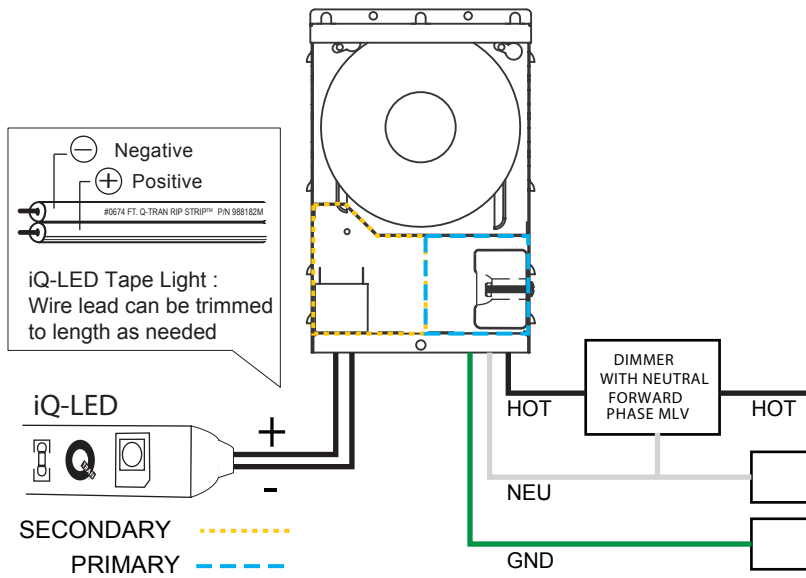


iQ LED TAPE LIGHT

# COMPATIBLE POWER SUPPLIES

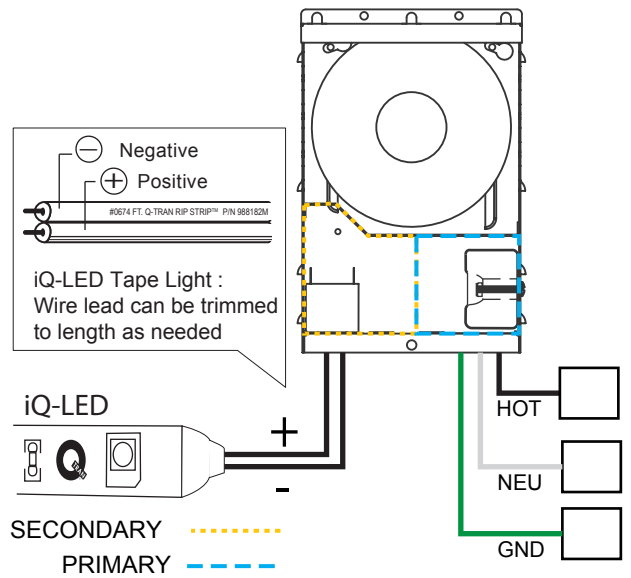
## Magnetic with Dimmer DC or DC+CAP

QT & Q6



## Magnetic without Dimmer DC or DC+CAP

QT & Q6



## Phase Controlled Dimming

iQ-PH-80

