



iQ LED TAPE LIGHT 5050 CHIP SERIES

iQ54 4.4 W/ft: DAMP RATED



iQ54 LED FlexibleTape Light is available in 3000K. iQ54 LED Light, chip 50 is available in 4.4 watts per foot, 24VDC, and has a CRI of over 90. This product is suitable for damp locations, such as bathrooms, kitchens and outside over hang lighting.

iQ54	-	30	-	50	-	90	-	4.4	-	
iQ Series		Color Temp		Chip		CRI		Watts Per FT		Length

FEATURES

- LED life time - 40,000 hours
- Operating temperature: -4°F ~ +113°F
- Suitable for Damp locations
- Non-Ferrous Material
- 3.94" cut points
- Field cuttable
- 3 year warranty

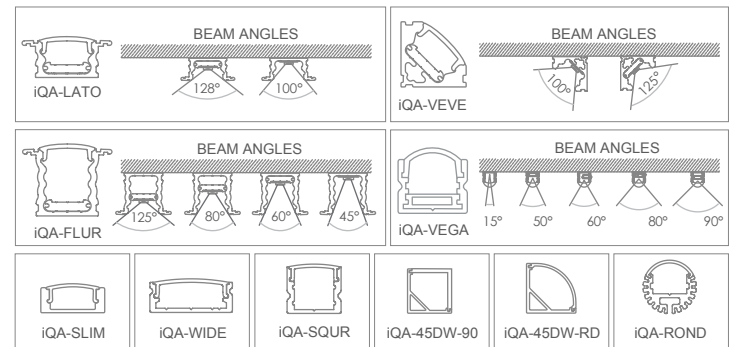
iQ54-30-50-90-4.4

Max Run / Reel Length: 21ft* | ColorTemp: 3000K | Voltage: 24VDC
 CRI: 90+ | LM: 79 | Watts Per Ft: 4.4 | Lumens Per Ft: 257

*Maximum length for one run of iQ54 LED 4.4. Individual Power supply cut sheets will provide max distance/loads per power supply.

NOTE: Q-Tran offers multiple LED Chip offerings based upon size and pitch, each utilizing its own binning. Utilization of multiple outputs within the same chip family will ensure flawless color matching and similar overall diffusion.

COMPATIBLE EXTRUSIONS



COMPATIBLE POWER SUPPLIES

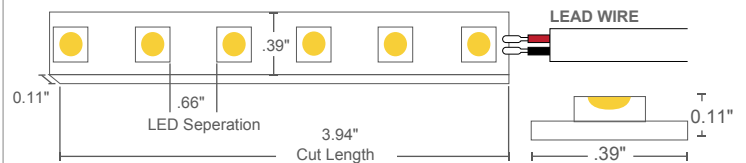
Interior Applications

- QJB & QJBL
- Q6M-DC & DC+CAP
- QTM-eLED, QTM-DC & DC+CAP
- iQ-PH

Exterior Applications

- QOM-eLED, QOM-DC & DC+CAP
- Q-SET-eLED & Q-SET-mLED
- Q-HEX-Mini-DC
- iQ-PH

DIMENSIONS



NOTE:

Cut marks of LED tape allows for changes in the field.

4.4 watts per foot = cut every 3.94"

Lead wire comes standard on all LEDs in 18" (18/2 AWG)



2016.V02

PROJECT NAME	DATE	COMPANY	TYPE	NOTE



iQ LED PHOTOMETRIC iQ54 4.4 W/ft

iQ54-30-50-90-4.4

Light efficiency:

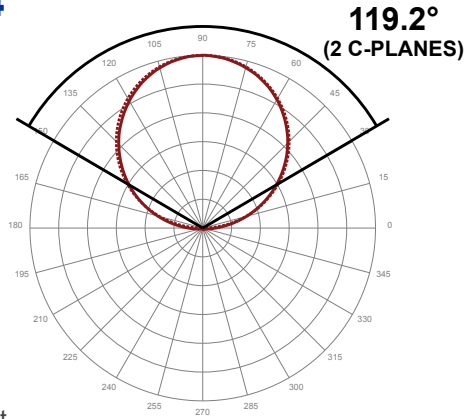
58 Lumen/Watt

Light quality:

CRI : 92.1

Color temperature:

3244 K



Electrical Test Condition for 1 foot

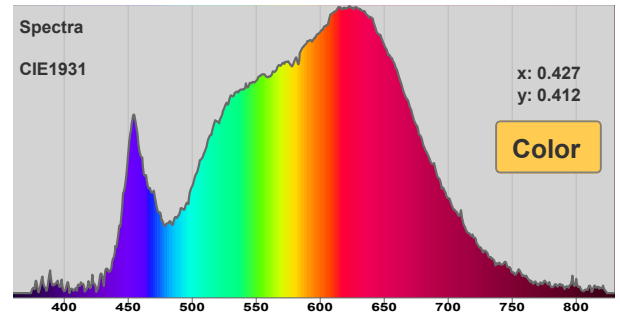
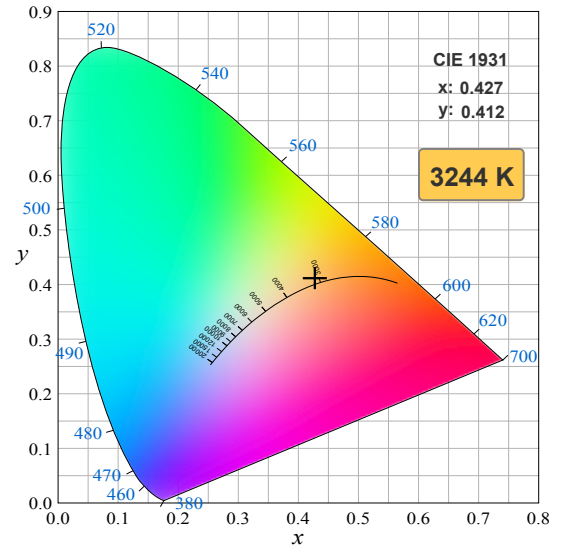
Output: 257 lm/ft **Peak:** 80 cd **Power:** 4.4 W/ft **24V @ 0.183A**

BEAM DETAILS

Beam angle 50%	Field angle 10%	Cutoff angle 2.5%	Intensity ratio in 120° cone	Intensity ratio in 90° cone
119.2°	172°	192°	72.8%	48.6%

COLOR PARAMETERS

CCT	CRI	CRI R9	TM30 Rf	TM30 Rg	CQS	x	y	u	v	Duv
3244 K	92.1	65.1	89.6	97.4	78.6	0.4	0.4	0.2	0.3	0.0049



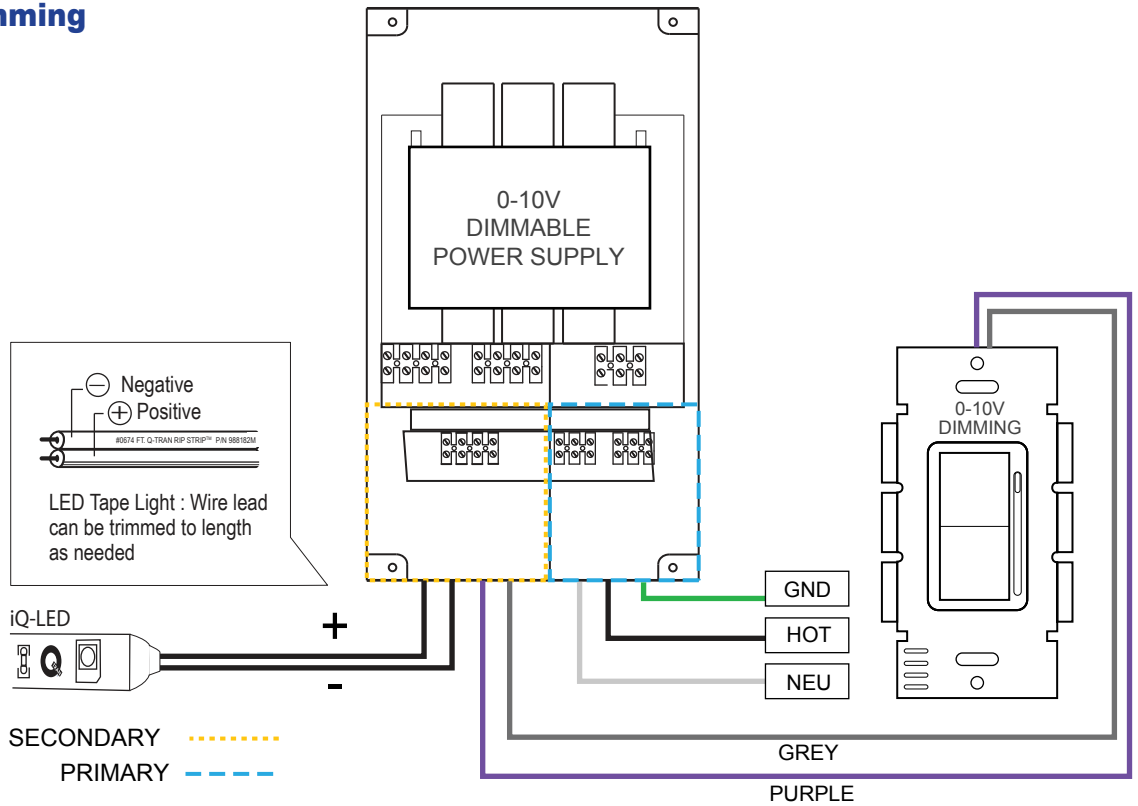


iQ LED TAPE LIGHT

COMPATIBLE POWER SUPPLIES

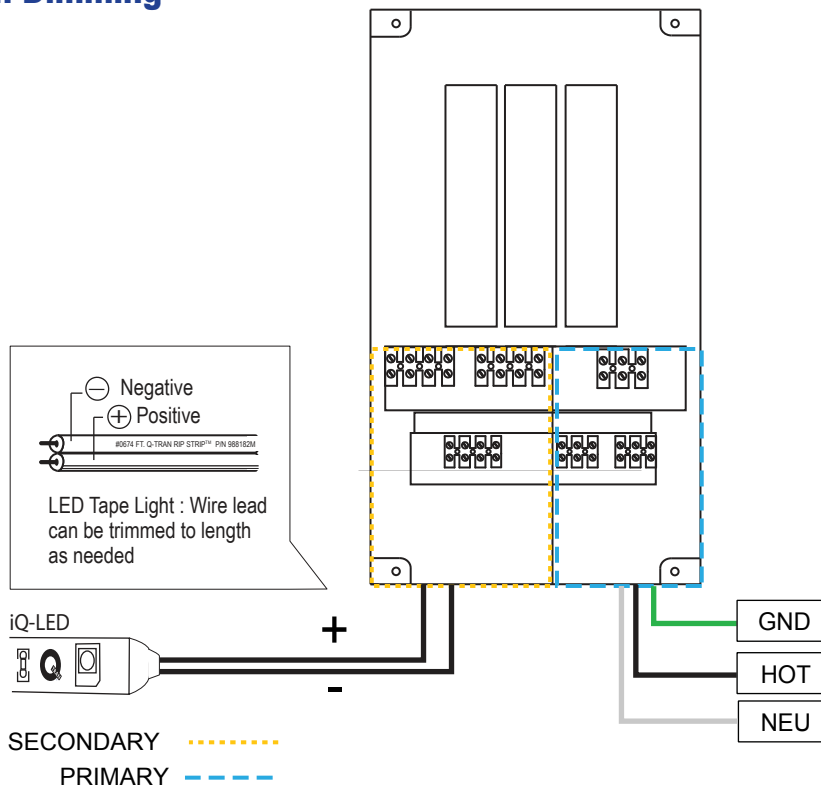
Electronic 0-10V Dimming

QTM



Electronic Driver Non-Dimming

QTM



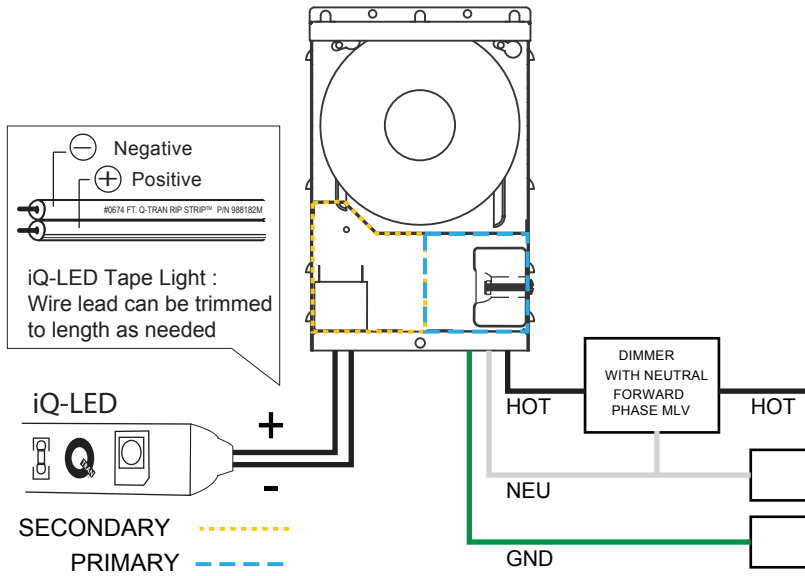


iQ LED TAPE LIGHT

COMPATIBLE POWER SUPPLIES

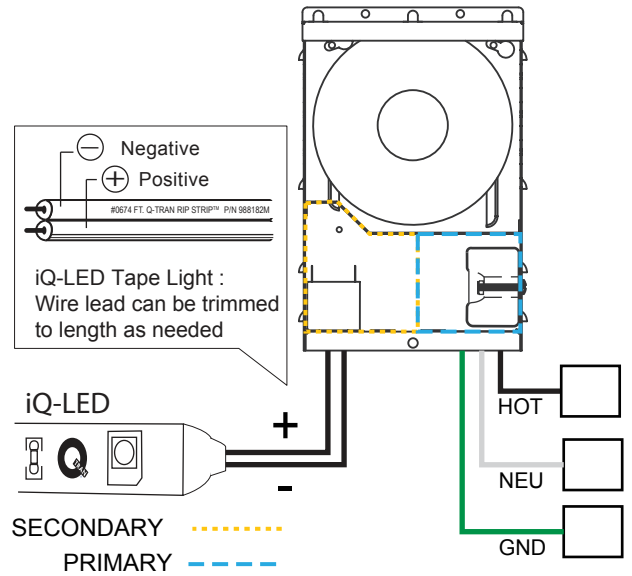
Magnetic with Dimmer DC or DC+CAP

QT & Q6



Magnetic without Dimmer DC or DC+CAP

QT & Q6



Phase Controlled Dimming

iQ-PH-80

