

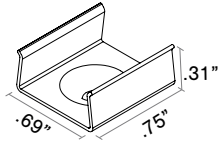
INSTALLATION

FIXTURES - FLEXIBLE - WURM

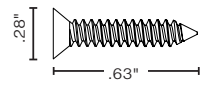


WHITE SNUG CLIP SMALL

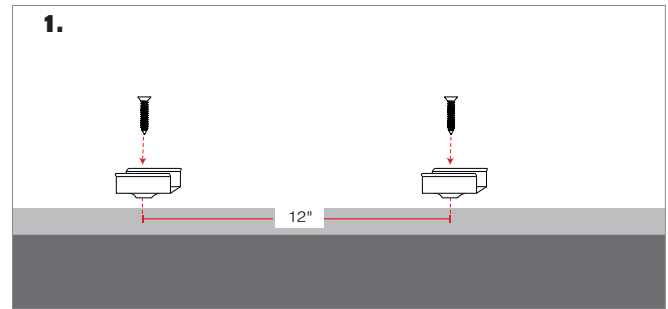
NOTE: White Snug Clip spacing every 12"



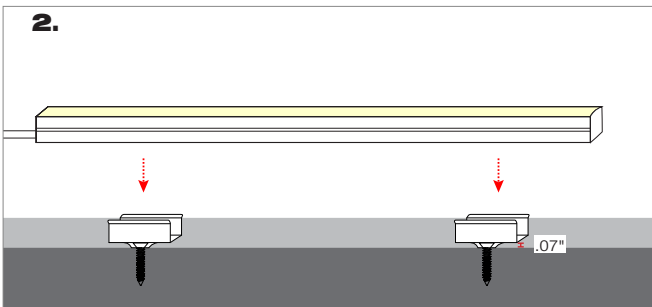
INCLUDED HARDWARE



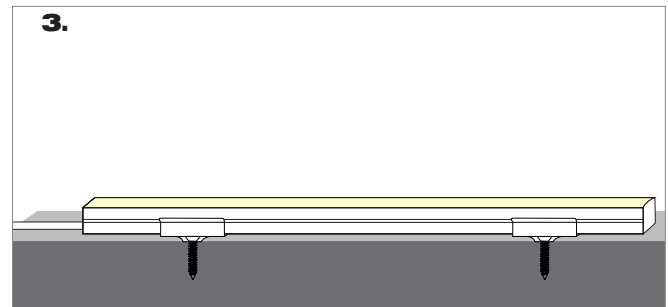
#6x5/8 Flat Head Screw



Mount White Snug Clip with provided flat head screw.



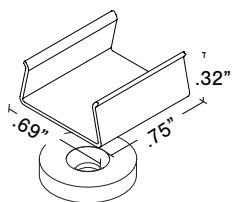
Align fixture to White Snug Clips matching distances.



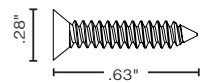
Press fixture into White Snug Clips.

MAGNETIC CLIP SMALL: Cove use only

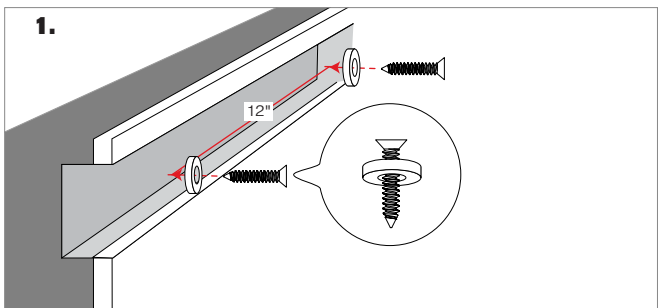
NOTE: Magnetic Clip spacing every 12"



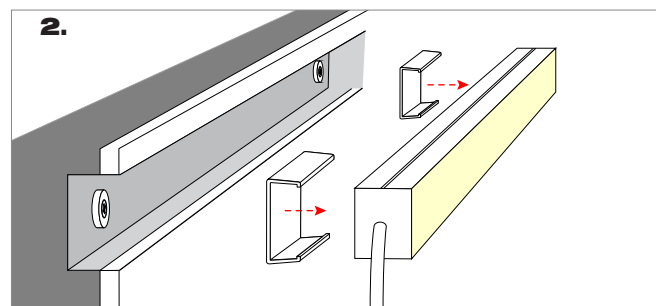
INCLUDED HARDWARE



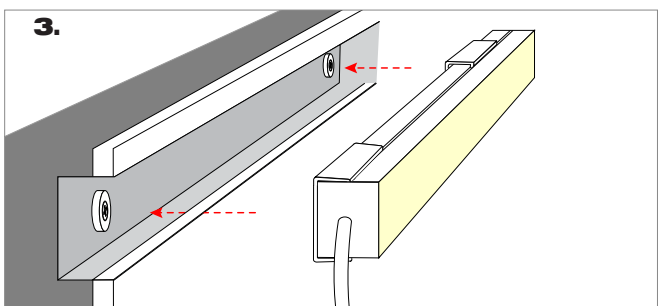
#6x5/8 Flat Head Screw



Install magnet rings with provided flat head screw.



Attach Clips to fixture matching magnet distances.



Align and snap fixture to magnetic rings.