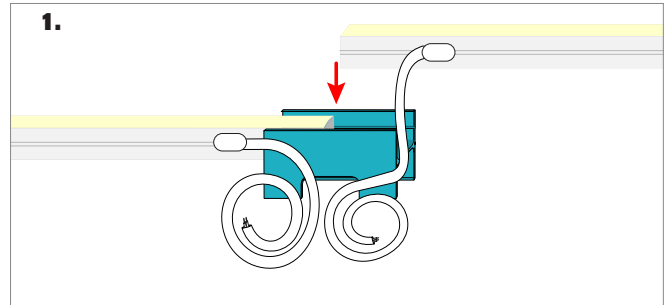
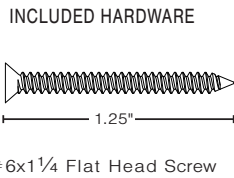
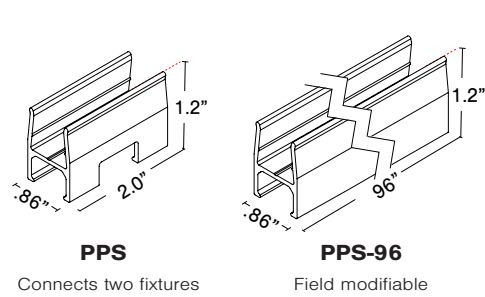


# INSTALLATION

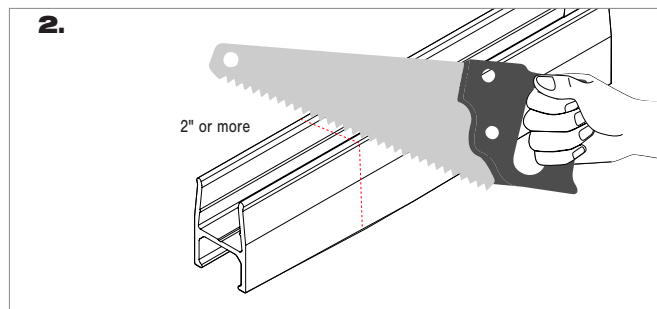
## FIXTURES - POOL & SPA - KURV



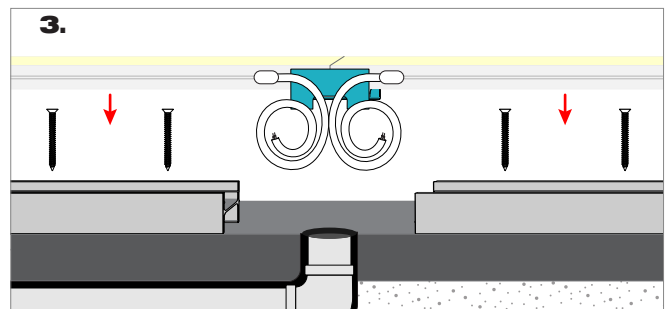
### PVC MOUNT CLIP & PVC CHANNEL



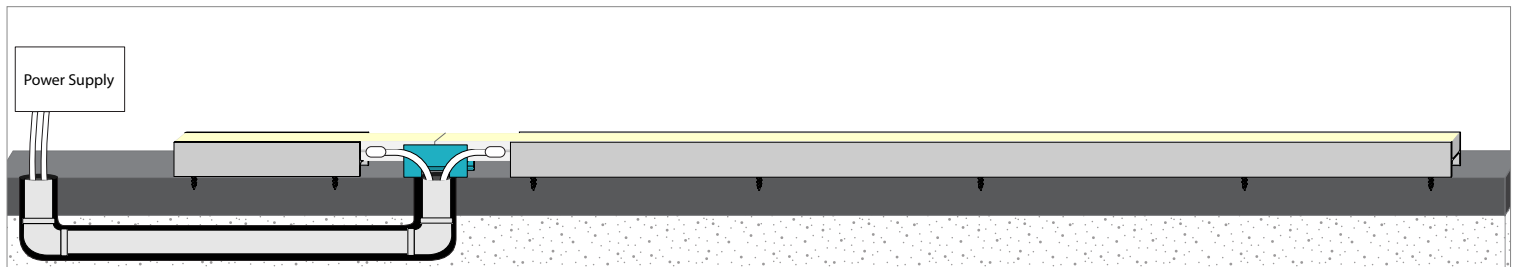
Press both fixtures into PPS clip.



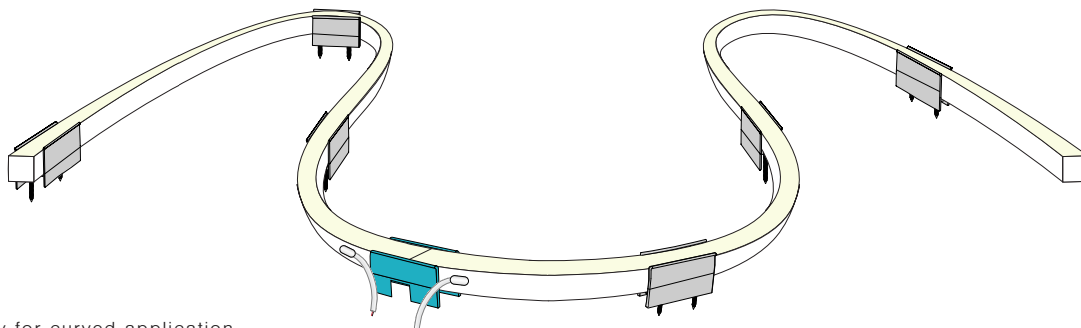
Cut PPS-96 to any length, no smaller than 2".



Install PPS Clips to Pre mount backer board.  
Snap fixture into PPS and PPS-96.



Finished Assembly for straight runs



Finished Assembly for curved application