



# iQ LED WET RATED SUPERBEND



A versatile, flexible LED power strip that is bendable in a variety of different directions. Great light source for indoor and covered outdoor applications with a rating of IP65 which is water resistant to protect against the elements. The LED is offered in 3 Colors Temperatures; 2500K, 2700K and 3000K, 4.4 watts per foot and a CRI over 90.

<b>iQ65</b>	-	<b>SBD</b>	-	<b>90</b>	-	<b>4.4</b>	-	
iQ Series		Type		CRI		Watts Per FT		Length

## iQ65-25-SBD-90-4.4

Max Run / Reel Length: 21ft\* | Color Temp: 2500K | Voltage: 24vDC  
CRI: 92 | LM: 79 | Watts Per Ft: 4.4 | Lumens Per Ft: 155  
Lumens Per Watt: 36

## iQ65-27-SBD-90-4.4

Max Run / Reel Length: 21ft\* | Color Temp: 2700K | Voltage: 24vDC  
CRI: 93 | LM: 79 | Watts Per Ft: 4.4 | Lumens Per Ft: 160  
Lumens Per Watt: 37

## iQ65-30-SBD-90-4.4

Max Run / Reel Length: 21ft\* | Color Temp: 3000K | Voltage: 24vDC  
CRI: 94 | LM: 79 | Watts Per Ft: 4.4 | Lumens Per Ft: 180  
Lumens Per Watt: 41

\*Maximum length for one run of iQ65 Superbend 4.4. Individual Power supply cut sheets will provide max distance/loads per power supply.

## FEATURES

- LED life time - 30,000 hours
- Minimum bending radius 5"
- Operating temperature: -4°F ~ +113°F
- Ingress protection rating IP65(Dot-Free)
- 3 year warranty

### ✂ CUTTING INSTRUCTIONS:

This flex light can be cut on the dotted line mapped on the unit at every 1.3".

\*Lead wire comes in 18" ( See instructions for more details )



CIRCULAR BENDING



HORIZONTAL AND VERTICAL BENDING



INWARD BENDING



OUTWARD BENDING



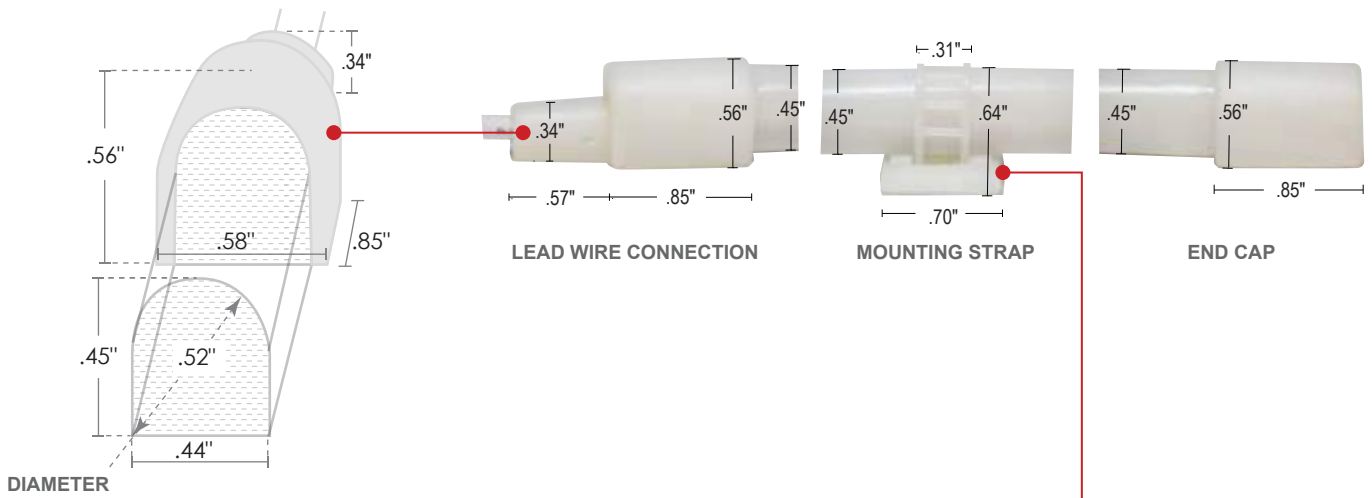
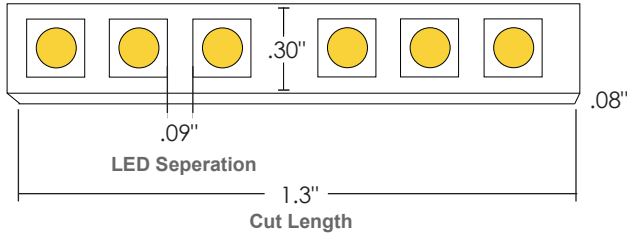
2017.V01

PROJECT NAME	DATE	COMPANY	TYPE	NOTE

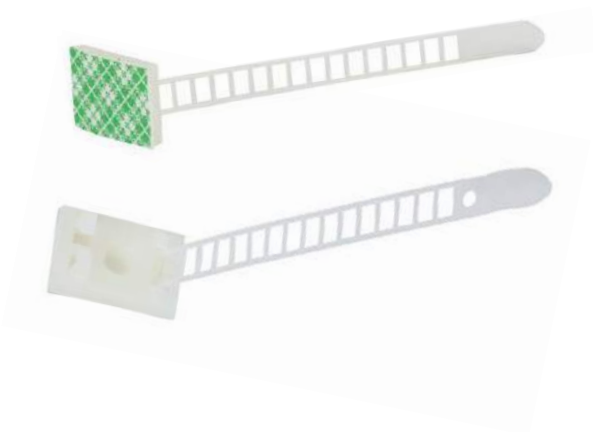


# iQ LED SUPERBEND DIMENSIONS

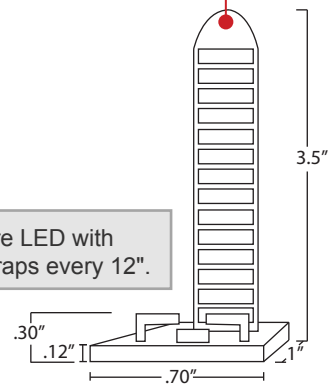
## DIMENSIONS



## MOUNTING STRAP



**Note:** Secure LED with mounting straps every 12".





# iQ LED PHOTOMETRIC

## iQ65 4.4 W/ft

### iQ65-27-SBD-90-4.4

Light efficiency:

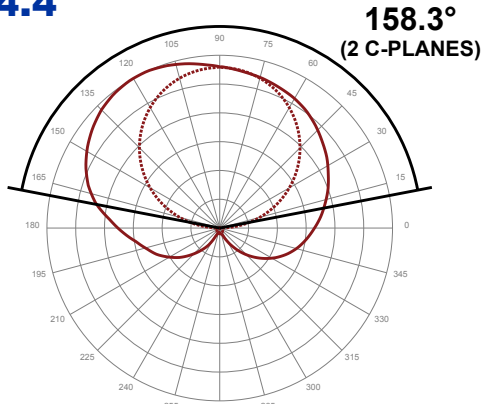
36 Lumen/Watt

Light quality:

CRI : 93.5

Color temperature:

2941 K



Electrical Test Condition for 1 foot

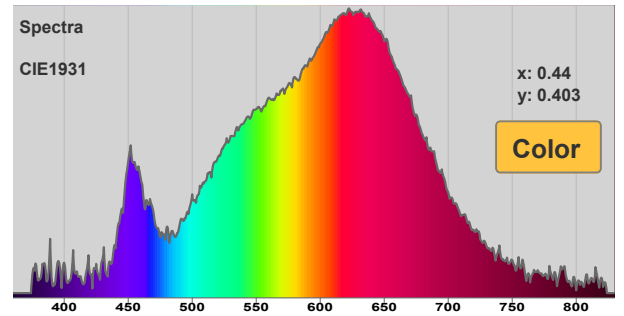
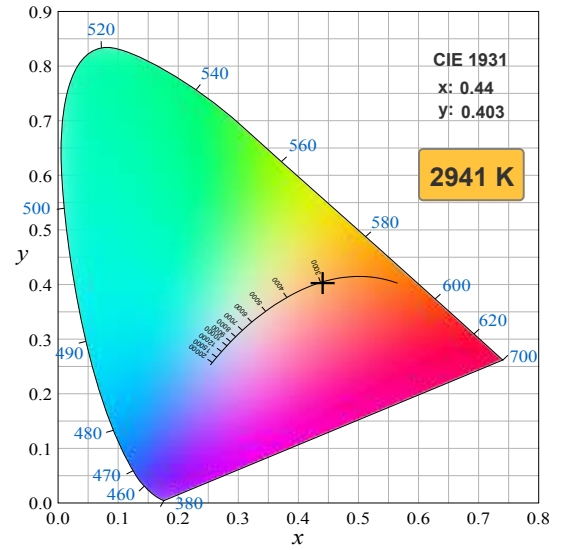
**Output:** 157 lm/ft **Peak:** 31.4 cd **Power:** 4.4 W/ft **24V @ 0.183A**

#### BEAM DETAILS

Beam angle 50%	Field angle 10%	Cutoff angle 2.5%	Intensity ratio in 120°cone	Intensity ratio in 90°cone
158.3°	232.9°	360°	49.9%	31.6%

#### COLOR PARAMETERS

CCT	CRI	CRI R9	TM30 Rf	TM30 Rg	CQS	x	y	u	v	Duv
2941 K	93.5	70.2	91.1	100.8	90.1	0.4	0.4	0.3	0.3	0.0009



### iQ65-35-SBD-90-4.4-1

Light efficiency:

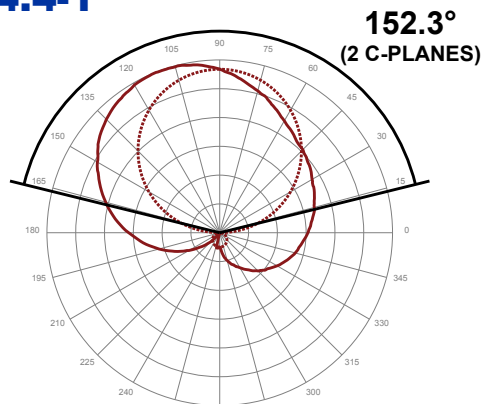
32 Lumen/Watt

Light quality:

CRI : 94.5

Color temperature:

3456 K



Electrical Test Condition for 1 foot

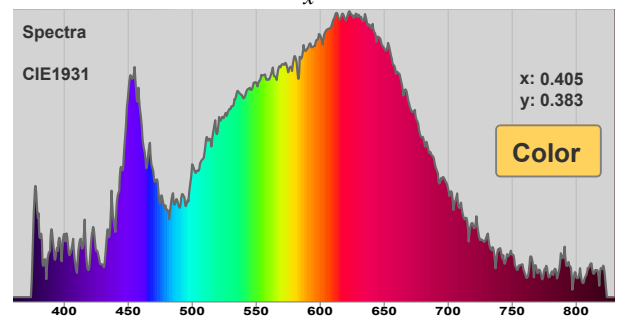
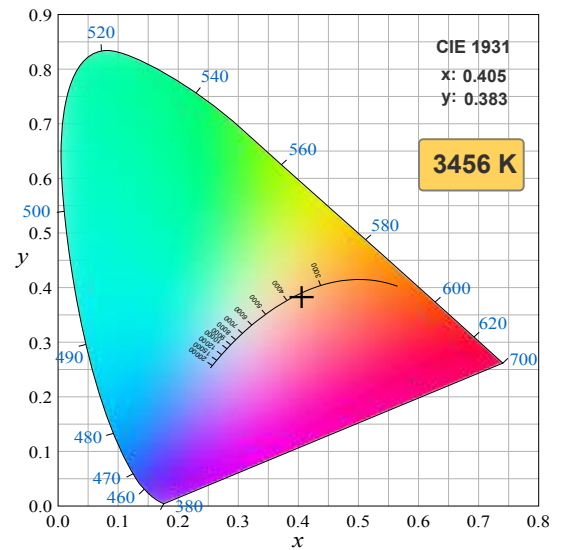
**Output:** 140 lm/ft **Peak:** 29.2 cd **Power:** 4.4 W/ft **24V @ 0.183A**

#### BEAM DETAILS

Beam angle 50%	Field angle 10%	Cutoff angle 2.5%	Intensity ratio in 120°cone	Intensity ratio in 90°cone
152.3°	237.8°	360°	50.1%	32.0%

#### COLOR PARAMETERS

CCT	CRI	CRI R9	TM30 Rf	TM30 Rg	CQS	x	y	u	v	Duv
3456 K	94.5	77.4	91.5	101	88.0	0.4	0.4	0.2	0.3	0.0031





# iQ LED PHOTOMETRIC

## iQ65 4.4 W/ft

### iQ65-35-SBD-90-4.4

Light efficiency:

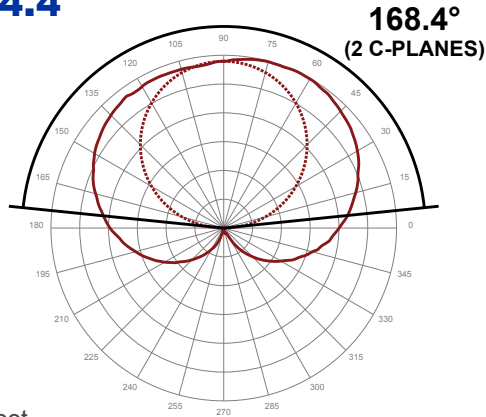
**30 Lumen/Watt**

Light quality:

**CRI : 93**

Color temperature:

**3375 K**



Electrical Test Condition for 1 foot

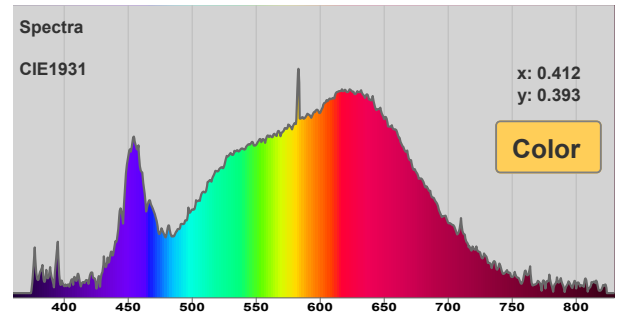
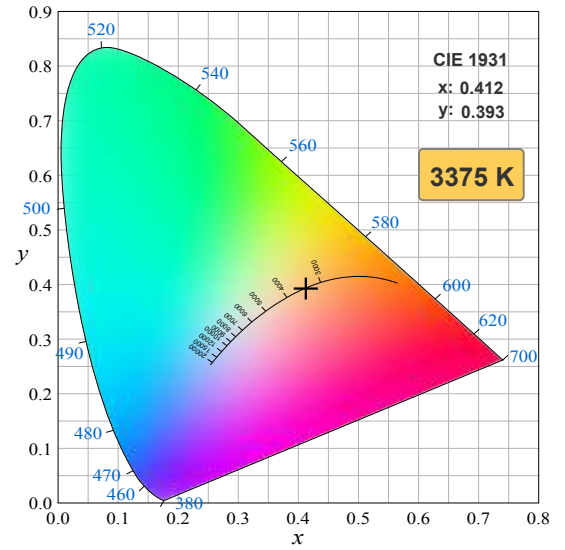
**Output:** 133 lm/ft **Peak:** 24.7 cd **Power:** 4.4 W/ft **24V @ 0.183A**

#### BEAM DETAILS

Beam angle 50%	Field angle 10%	Cutoff angle 2.5%	Intensity ratio in 120° cone	Intensity ratio in 90° cone
168.4°	236.2°	255.3°	48.6%	30.6%

#### COLOR PARAMETERS

CCT	CRI	CRI R9	TM30 Rf	TM30 Rg	CQS	x	y	u	v	Duv
3375 K	93	69	90.3	99.6	91.3	0.4	0.4	0.2	0.3	0.0004

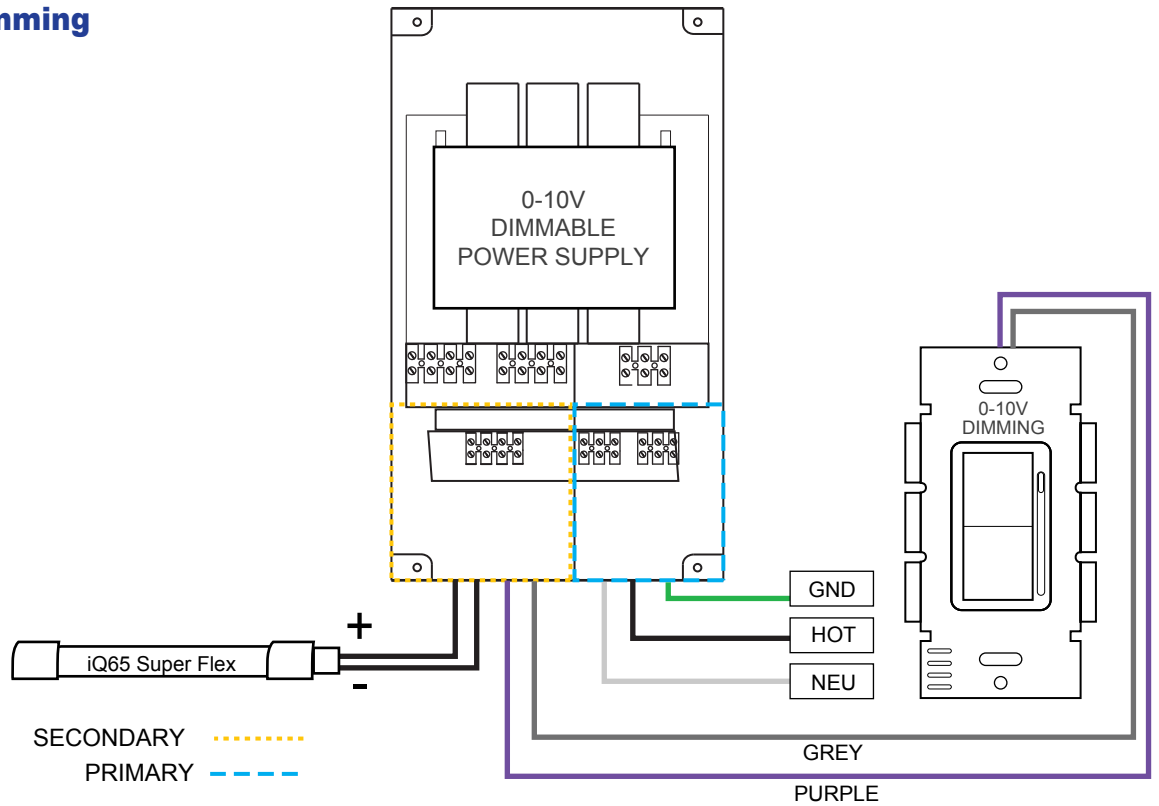




iQ LED TAPE LIGHT  
**POWER SUPPLIES**

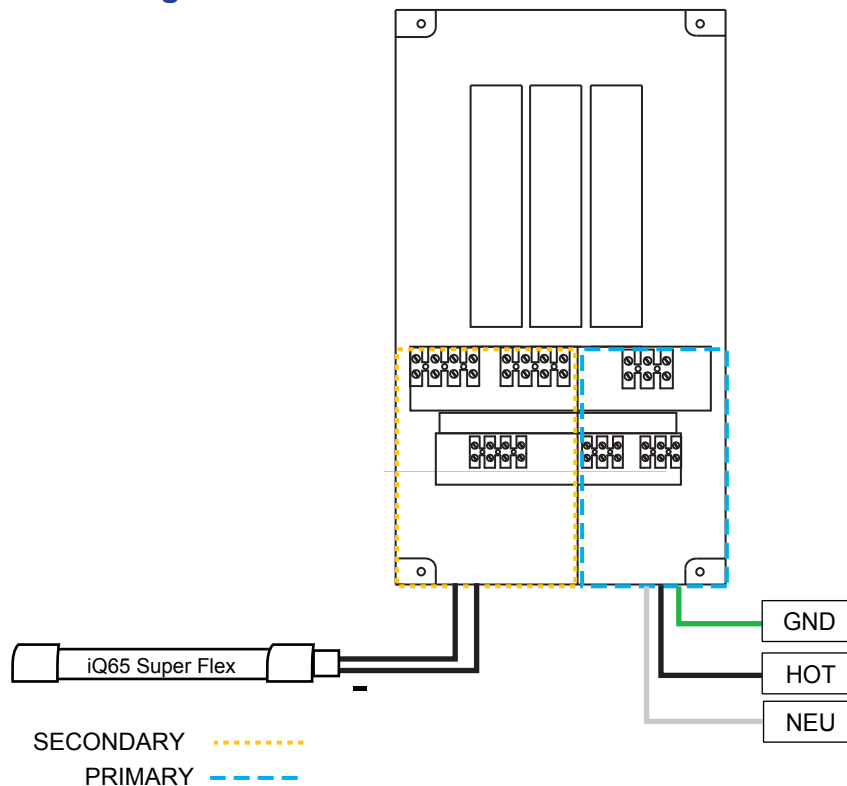
**Electronic 0-10V Dimming**

**QTM** for interior  
**QOM** for exterior



**Electronic Driver Non-Dimming**

**QTM** for interior  
**QOM** for exterior

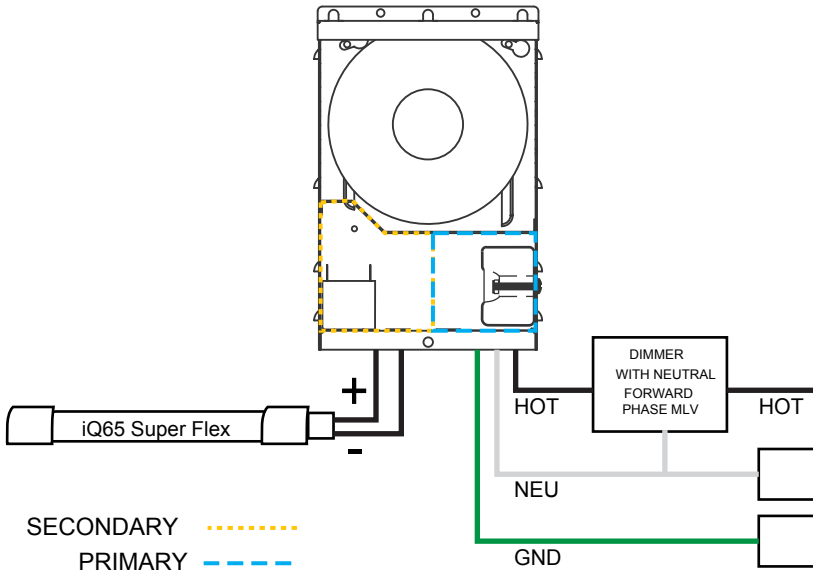




iQ LED TAPE LIGHT  
**POWER SUPPLIES**

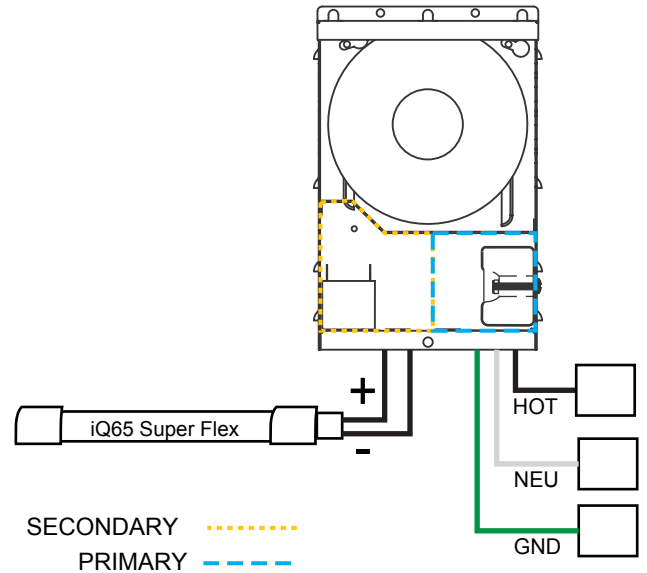
**Magnetic with Dimmer**  
**DC or DC+CAP**

**QT & Q6** for interior  
**QOM** for exterior



**Magnetic without Dimmer**  
**DC or DC+CAP**

**QT & Q6** for interior  
**QOM** for exterior



**Phase Controlled Dimming**

**iQ-PH-80**

