



iQ LED SUPERBEND STATIC COLOR

Q-Tran's Superbend is a versatile, flexible LED power strip that is bendable in a variety of different directions. Great light source for indoor and covered outdoor applications with a rating of IP65 which is water resistant to protect against the elements. The LED is offered in 3 Colors: Red, Blue, and Green in 4.4 watts per foot.

| | | | | | | | | |
|-------------|---|-------|---|------------|---|--------------|---|--------|
| iQ65 | - | | - | SBD | - | 4.4 | - | |
| iQ Series | | Color | | Type | | Watts Per FT | | Length |

iQ65-RD-SBD-4.4

Max Run / Reel Length: 21ft* | Color: RED (RD)
Voltage: 24VDC | Watts Per Ft: 4.4
Wave Length: 620-630 nm | Lumens Per Ft: 42



iQ65-GR-SBD-4.4

Max Run / Reel Length: 21ft* | Color: GREEN (GR)
Voltage: 24VDC | Watts Per Ft: 4.4
Wave Length: 515-525 nm | Lumens Per Ft: 191



iQ65-BL-SBD-4.4

Max Run / Reel Length: 21ft* | Color: BLUE (BL)
Voltage: 24VDC | Watts Per Ft: 4.4
Wave Length: 465-475 nm | Lumens Per Ft: 40



*Maximum length for one run of iQ65 Superbend 4.4. Individual Power supply cut sheets will provide max distance/loads per power supply.

FEATURES

- LED life time - 30,000 hours
- Minimum bending radius 5"
- 1.3" cut points
- Operating temperature: -4°F ~ +113°F
- No hot spot
- Ingress protection rating IP65 (Dot-Free)
- Wet rated
- 3 year warranty

CUTTING INSTRUCTIONS:

This flex light can be cut on the dotted line mapped on the unit at every 1.3".

Lead wire comes in 11.5" (See instructions for more details)



INWARD BENDING



OUTWARD BENDING



2017.V01

| PROJECT NAME | DATE | COMPANY | TYPE | NOTE |
|--------------|------|---------|------|------|
| | | | | |



iQ LED PHOTOMETRIC iQ65 4.4 W/ft

iQ65-RD-SBD-4.4

Light efficiency:

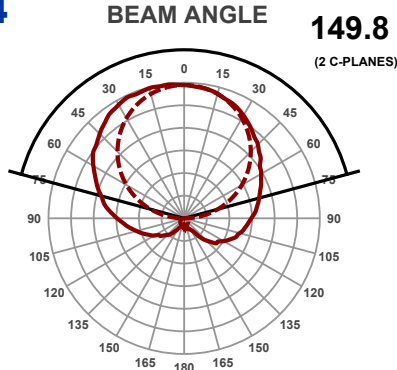
10 Lumen/Watt

Light quality:

CRI: 0

Color temperature:

0 K



Electrical Test Condition for 1 foot

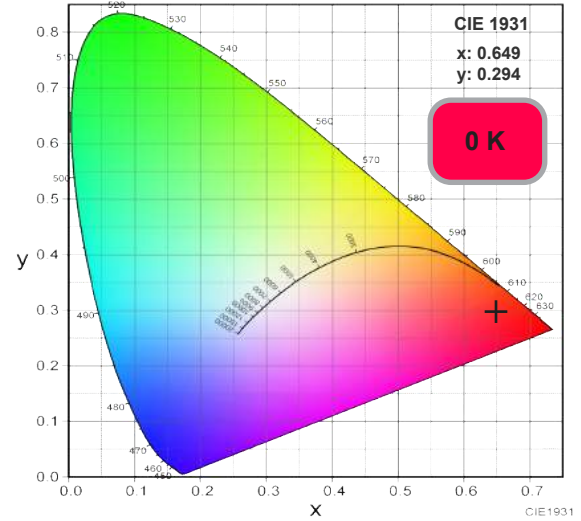
Output: 42 lm/ft **Peak:** 8.76 cd **Power:** 4.4 W/ft **24V @ 0.183A**

BEAM DETAILS

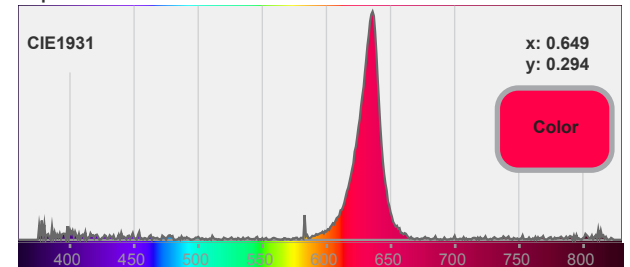
| Beam angle 50% | Field angle 10% | Cutoff angle 2.5% | Intensity ratio in 120° cone | Intensity ratio in 90° cone |
|----------------|-----------------|-------------------|------------------------------|-----------------------------|
| 149.8° | 233.5° | 360.0° | 51.9% | 33.5% |

COLOR PARAMETERS

| CCT | CRI | CRI R9 | TM30 Rf | TM30 Rg | CQS | x | y | u | v | Duv |
|-----|-----|--------|---------|---------|-----|-----|-----|-----|-----|--------|
| 0 K | 0.0 | 0.0 | 0.0 | 0.0 | 0.0 | 0.6 | 0.3 | 0.5 | 0.3 | 0.0000 |



Spectra



iQ65-GR-SBD-4.4

Light efficiency:

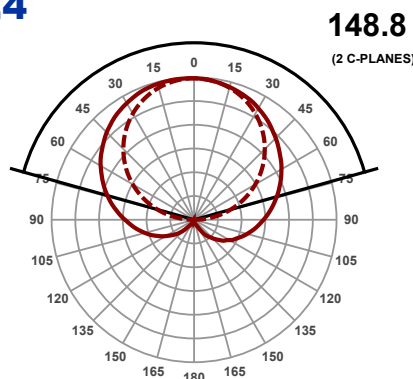
43 Lumen/Watt

Light quality:

CRI: 0

Color temperature:

0 K



Electrical Test Condition for 1 foot

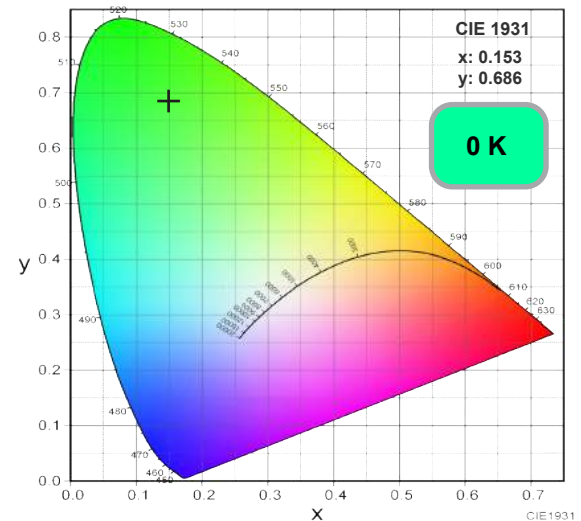
Output: 191 lm/ft **Peak:** 40.0 cd **Power:** 4.4 W/ft **24V @ 0.183A**

BEAM DETAILS

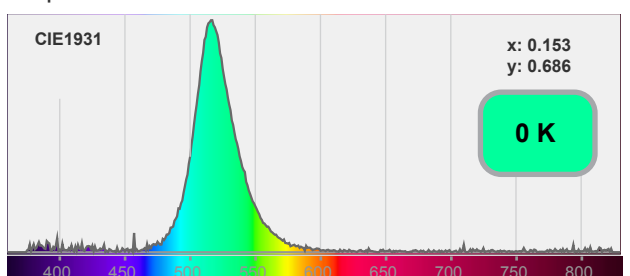
| Beam angle 50% | Field angle 10% | Cutoff angle 2.5% | Intensity ratio in 120° cone | Intensity ratio in 90° cone |
|----------------|-----------------|-------------------|------------------------------|-----------------------------|
| 148.8° | 226.0° | 249.9° | 53.9% | 34.7% |

COLOR PARAMETERS

| CCT | CRI | CRI R9 | TM30 Rf | TM30 Rg | CQS | x | y | u | v | Duv |
|-----|-----|--------|---------|---------|-----|-----|-----|-----|-----|--------|
| 0 K | 0.0 | 0.0 | 0.0 | 0.0 | 0.0 | 0.2 | 0.7 | 0.1 | 0.4 | 0.0000 |



Spectra





iQ LED PHOTOMETRIC
iQ65 4.4 W/ft

iQ65-BL-SBD-4.4

Light efficiency:

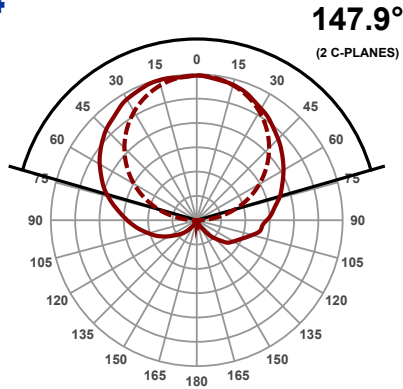
9 Lumen/Watt

Light quality:

CRI: 0

Color temperature:

0 K



Electrical Test Condition for 1 foot

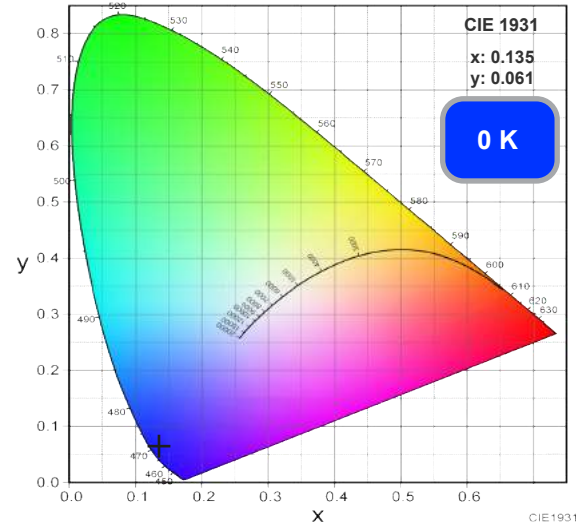
Output: 40 lm/ft **Peak:** 8.57 cd **Power:** 4.4 W/ft **24V@ 0.183A**

BEAM DETAILS

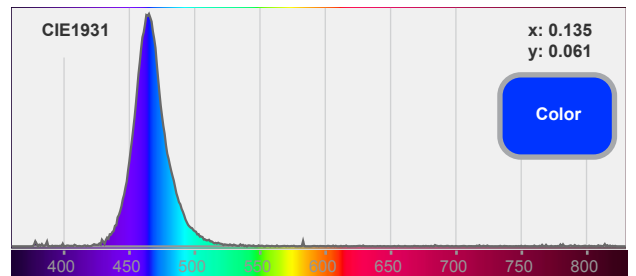
| Beam angle 50% | Field angle 10% | Cutoff angle 2.5% | Intensity ratio in 120°cone | Intensity ratio in 90°cone |
|-------------------|--------------------|----------------------|--------------------------------|-------------------------------|
| 147.9° | 224.9° | 360.0° | 53.8% | 34.6% |

COLOR PARAMETERS

| CCT | CRI | CRI R9 | TM30 Rf | TM30 Rg | CQS | x | y | u | v | Duv |
|-----|-----|--------|---------|---------|-----|-----|-----|-----|-----|--------|
| 0 K | 0.0 | 0.0 | 0.0 | 0.0 | 0.0 | 0.1 | 0.1 | 0.2 | 0.1 | 0.0000 |



Spectra

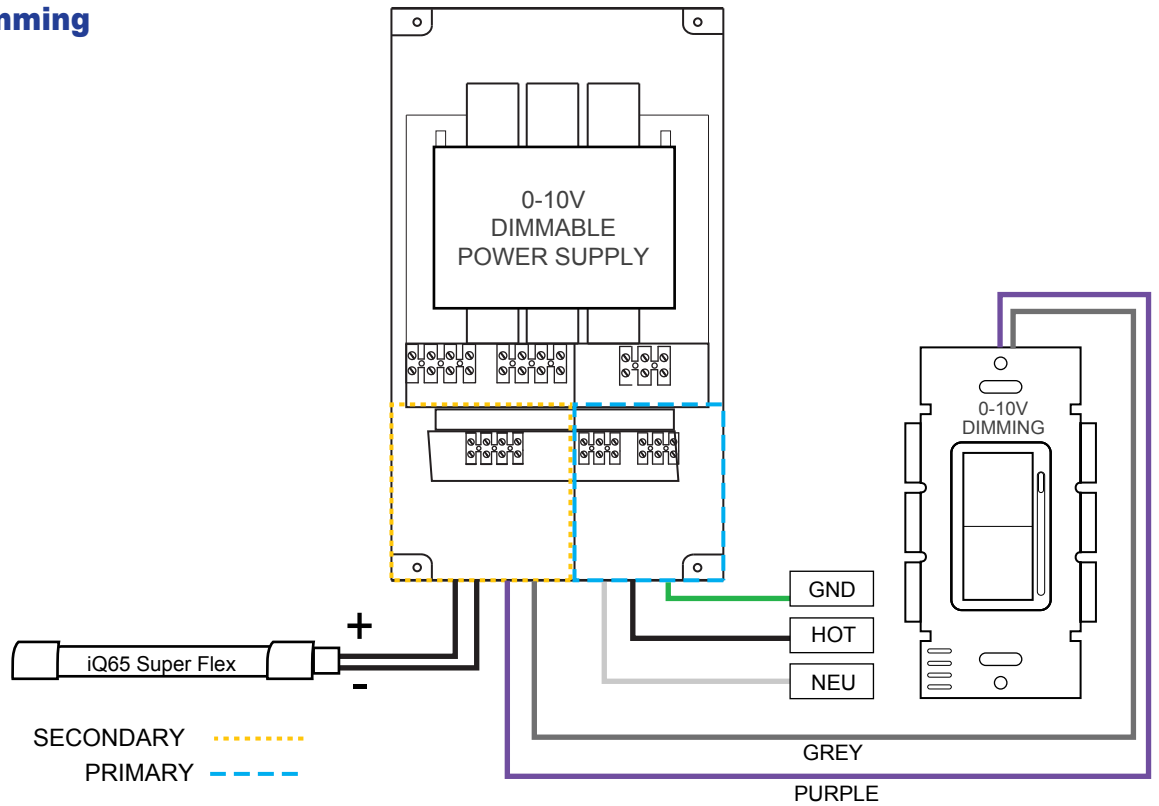




iQ LED TAPE LIGHT POWER SUPPLIES

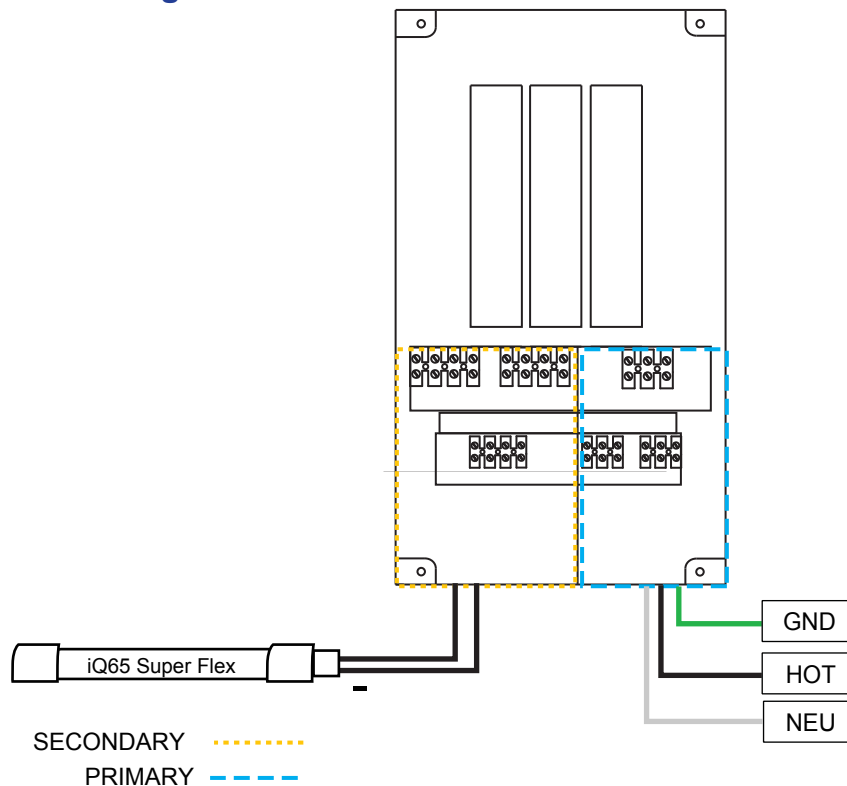
Electronic 0-10V Dimming

QTM for interior
QOM for exterior



Electronic Driver Non-Dimming

QTM for interior
QOM for exterior

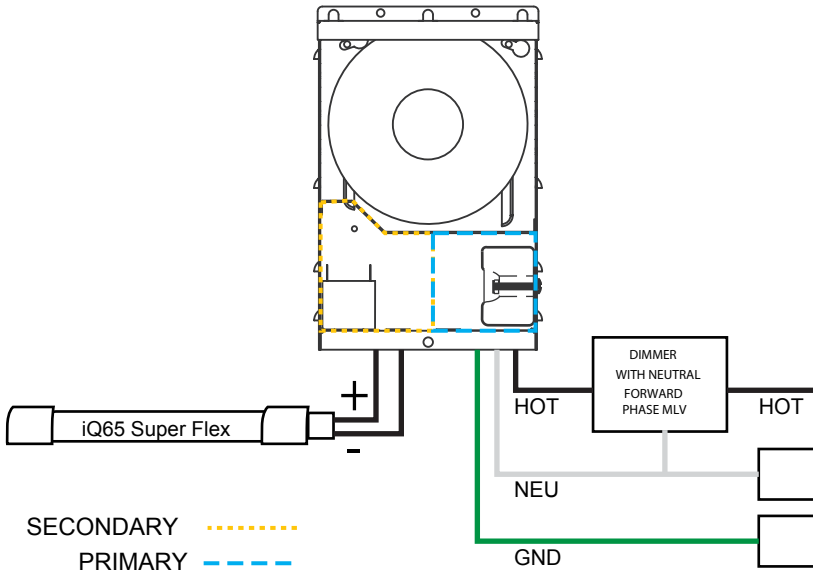




iQ LED TAPE LIGHT
POWER SUPPLIES

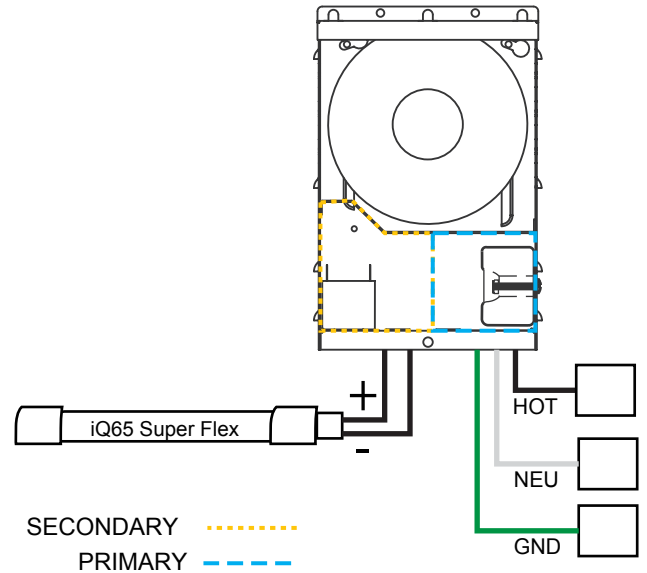
Magnetic with Dimmer
DC or DC+CAP

QT & Q6 for interior
QOM for exterior



Magnetic without Dimmer
DC or DC+CAP

QT & Q6 for interior
QOM for exterior



Phase Controlled Dimming

iQ-PH-80

