



QOM-DRIVE

Constant Voltage eldoLED LINEARdrive LED Driver which can be wired for DMX, DALI or 0-10V Dimming. Available in 12VDC from 60-120W or 24VDC from 100-200VDC. Pool & Spa Option available. All of the QO Line of power supplies are outdoor-rated and surface mountable.

FEATURES

- DMX, DALI or 0-10V Controllable
- Suitable for dry, damp and wet locations
- Suitable for Indoor, Outdoor, or Pool & Spa Applications
- Suitable for Use with Submersible Luminaires
- 4x 12/24V Controllable outputs per driver
- Standby power: < 0.5W
- Built-in Surge Protection: 3kV (L to N), 4kV (L/N to GND)
- Flicker Free operation
- Efficiency: 90% at full load, ≥ 87% above 50W output
- Class 2 output
- Power factor: > 0.94
- THD @ full load : <10%
- 3 year warranty
- CSA Listing #239924

0-10V

Use the driver's Ext in+ and Ext in- connectors for the 0-10V dimming signal. Configure the driver for use with an external control device over the 3-button user interface.

DALI

Use these connectors to connect the driver to a DALI network. Always combine a DA+ and DA-connector for either data input or data output. A separate DALI power supply is required to power the DALI bus.

DMX in/LedSync out

Use these connectors when the driver is used in a DMX network. For DMX in, connect the network cable's DMX+, DMX- and DMX shielding wire (the orange/white, orange and brown wire in a CAT5 cable) to the DMX in+, DMX in- and DMX in shield connector respectively. For LedSync out, connect the network cable's DMX+, DMX- and DMX shielding wire to the LedSync out+, LedSync out- and LedSync shield connector respectively.

CLASSIFICATIONS

Low Voltage Lighting Systems

- CSA Class 3425-15 and Class 3425-95
- CSA Standard C22.2 No. 250.0-08 - Luminaires
- ANSI/ UL Standard 2108 - Low Voltage Lighting Systems
- ANSI/ UL Standard 8750 - Light Emitting Diode (LED) Equipment for Use in Lighting Products
- CSA Std C22.2 No 250.13-14 - Light Emitting Diode (LED) Equipment for Lighting Applications

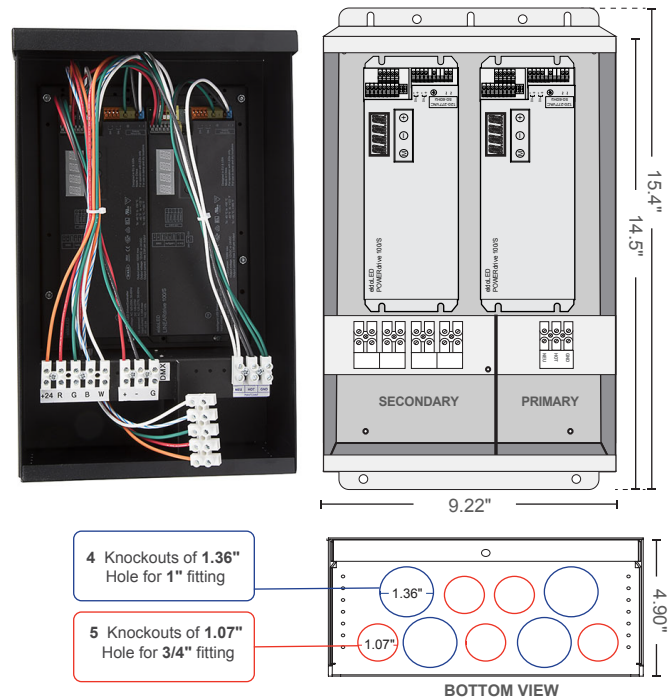
LED Landscape Lighting Systems

- CSA Class 3402-15 and Class 3402-95
- CSA Standard C22.2 No. 250.7-07 - Extra-Low-Voltage Landscape Lighting Systems
- ANSI/ UL Standard 1838 - Low Voltage Landscape Lighting Systems
- ANSI/ UL Standard 8750 - Light Emitting Diode (LED) Equipment for Use in Lighting Products
- CSA Std C22.2 No 250.13-14 - Light Emitting Diode (LED) Equipment for Lighting Applications

Hydromassage (Pool and Spa)

- CSA Class 3425-46 and class 3425-96
- UL Standard 379 - Power Unit for Fountain, Swimming Pool and Spa Luminaires
- CSA STD C22.2 NO.89-15-Swimming Pool Luminaire, Submersible Luminaires and Accessories

Non Pool & Spa model shown



- 4 Knockouts of 1.36" Hole for 1" fitting
- 5 Knockouts of 1.07" Hole for 3/4" fitting

HOUSING

- 18 gauge Welded Steel Enclosure: 9.22"W x 15.4"H x 4.90"D
- Door: 9.27"W x 14.5"H
- Knockouts: 9
- Built-in support bracket incorporated to secure housing for surface mounting

ORDERING GUIDE					
Model	1 Size	2 Sec. V	3 Control	4 Housing	5 Option
QOM-DRIVE	-	-	+	-	-
1 Size	Max Load (Watts)	Secondary Voltage (12/24VDC)	Max Prim. Amps @ 120V	Max Prim. Amps @ 277V	
60W	1X60W	12VDC	1.05 A	0.45 A	
120W	2X60W	12VDC	2.10 A	0.90 A	
100W	1X100W	24VDC	1.05 A	0.45 A	
200W	2X100W	24VDC	2.10 A	0.90 A	
2 Secondary Voltage	12VDC	24VDC	4 Housing		
			BK Black Powder Coat Finish (Standard)		
			SS 316 Marine Grade Stainless Steel		
3 Control			5 Options		
0-10V	DMX	DALI	PS Pool & Spa		
Ordering Example					
QOM-DRIVE-100-24V+0-10V					



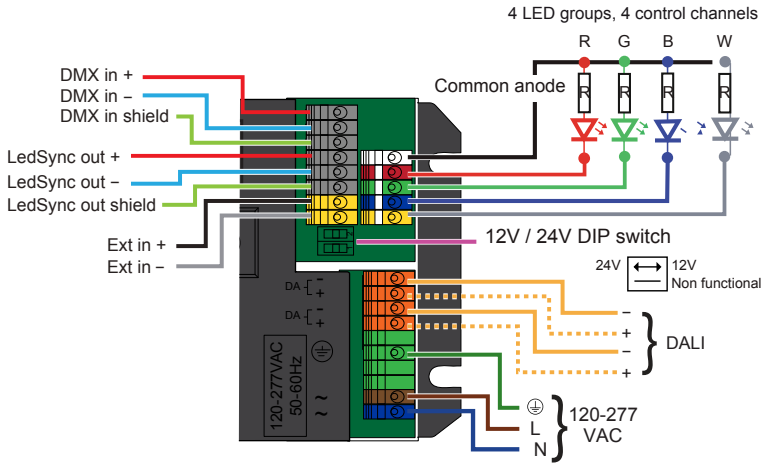
20180823-V1

PROJECT NAME	DATE	COMPANY	TYPE	NOTE



QOM-DRIVE SPECIFICATIONS

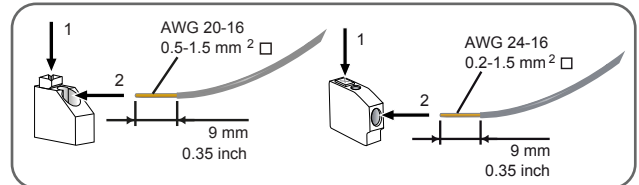
WIRE LENGTH TABLE



LED wire length: Maximum wire length from LED driver to LED engine at full load:

AWG value	20	18	16
Distance (ft)	46	72	118

NOTE: Longer wire lengths increase EMI susceptibility.



Pay attention when connecting the LED groups:

- polarity reversal results in no light output and often damages the LEDs
- combining + and - of different groups damages the driver

INPUT

- Voltage: 120 - 277 VAC, 50/60Hz
- Current, max per driver:
 - 1.05A at 120V/60Hz,
 - 0.5A at 230V/50Hz,
 - 0.45A at 277V/60Hz.

OUTPUT

- Power per driver: 100W max
- Voltage: 12V/24V output
- Current
 - RGBW @ 12V: 1.25A per output
 - RGBW @ 24V: 1A per output
- Output
 - RGB @ 12V: 1.66A per output
 - RGB @ 24V: 1.33A per output
- Current Max: 5A common anode

ENVIRONMENTAL

- Ta operating range : -40°F ~ +122°F
- Tc max : 185°F
- Lifetime : 50K hours at 122°F
- MTBF : 480,000 hours

COMPLIANCE / SAFETY

- Class 2 output.
- Class A sound rating
- FCC: Title 47CFR Part 15 Class B
- The wiring inside electrical enclosures shall comply with the 600V/105 °C or higher.
- CSA Certified
 - : UL-2108
 - : UL-1838
 - : UL-8750
 - : CSA C22.2 No 250.7-07
 - : CSA C22.2 No 250.0-08
 - : CSA C22.2 No 250.13-14
 - : CSA C22.2 No 89-15

PERFORMANCE

- Power Supply
 - : Rated for surface mount or outdoor use
 - : Fully rated to operate low voltage load at listed wattage (No Derating Required)
 - : Voltage regulation to 5% or less of rated output voltage
 - : The ability to be dimmed using 0-10V Dimming
 - : Universal input range of 120-277 Vrms

Low Voltage Lighting Systems

- : CSA Class 3425-15 and Class 3425-95

LED Landscape Lighting System Components

- : CSA Class 3426-04 and Class 3426-94

Hydromassage (Pool and Spa)

- : CSA Class 3425-46 and Class 3425-96

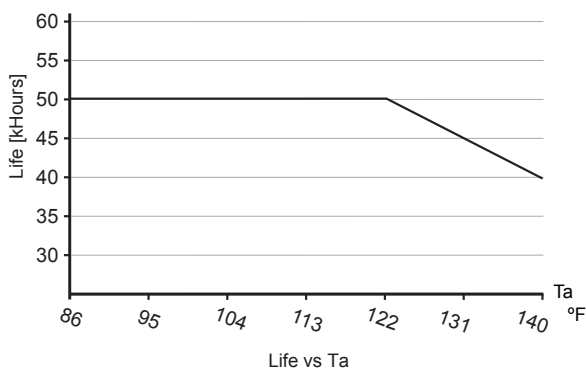
- : Short circuit protection (SCP)
- : Overload protection (OLP)
- : Live tested by manufacture to ensure proper operation
- : Manufacturer offers minimum of 5 year warranty

- Terminal blocks is made of tin plated copper with a voltage rating of 300V and a current rating of 40A



NOTE: All measurements have been carried out at maximum load in free air without heat sink.

Lifetime data



Power factor data

